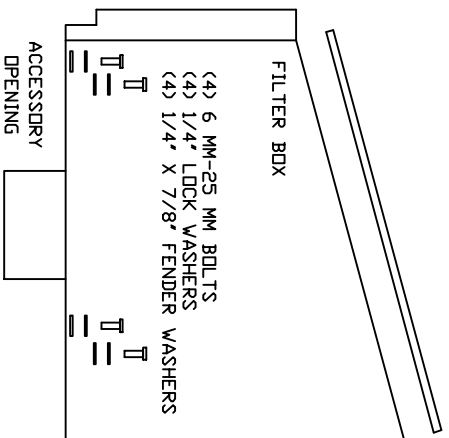
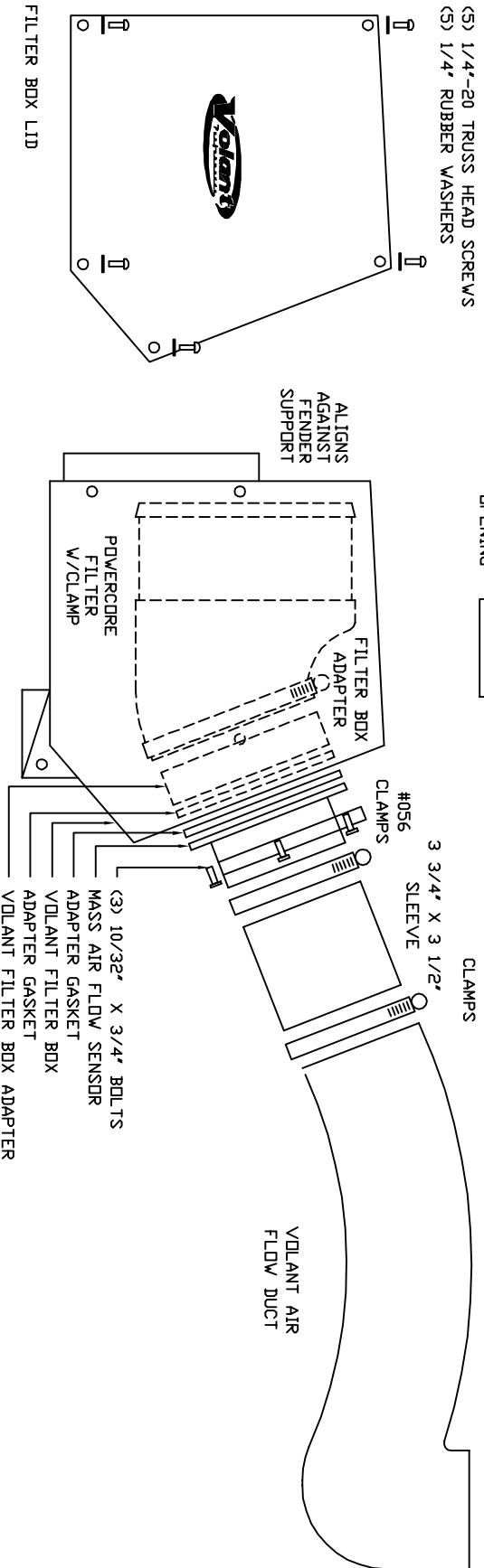
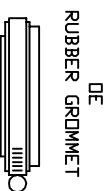


VOLANT COOL AIR INTAKES  
 PART NO.: 150536/151536  
 INSTALLATION INSTRUCTIONS  
 WWW.VOLANT.COM  
 TECH SUPPORT: (909) 481-3888

150536/151536 PARTS LIST					
1	VOLANT FILTER BOX	4	1/4" LOCK WASHERS	2	ADAPTER GASKETS
1	VOLANT FILTER BOX LID	1	#056 CLAMPS	1	5/13" HEX KEY
1	VOLANT FILTER BOX ADAPTER	1	#060 CLAMPS		
1	VOLANT AIR FLOW DUCT	4	6 MM-25 BOLTS		ONLY FOR VOLANT 15153
1	POWERCORE FILTER W/CLAMP	3	10/32" X 3/4" BOLTS	1	RUBBER GROMMET - ONLY 15153
5	1/4"-20 TRUSS HEAD SCREWS	4	1/4" X 7/8" FENDER WASHERS		
5	1/4" RUBBER WASHERS	1	3 3/4" X 3 1/2" SLEEVE		



NOTE:  
 ON PART # 15153 USE AN OE RUBBER GROMMET SUPPLIED BY VOLANT ON THE STOCK DUCT.  
 PART # 15053 USE THE OE RUBBER GROMMET SUPPLIED ON THE STOCK DUCT.





Volant Performance  
 Rancho Cucamonga, CA 91730  
 (909) 481-3888 Tech Support  
 (909) 476-1491 Fax  
 www.volant.com

**READ INSTRUCTIONS THOROUGHLY BEFORE DISASSEMBLING. DO NOT SKIP ANY STEPS. ANY QUESTIONS ON A VOLANT KIT MAY BE REFERRED TO OUR TECH SUPPORT LINE AT (909) 481-3888 OR VISIT OUR WEBSITE AT WWW.VOLANT.COM**

**INSTALLATION INSTRUCTIONS PART NO. 151536**

**Installation Instructions:**

1. Disconnect the negative battery cable.
2. Remove the engine cover.
3. Loosen the clamp holding the air duct to the throttle body and the clamp holding the duct to the MAF sensor.
4. Remove the clamp holding the duct to the coolant hose and remove the duct.
5. Remove the MAF from the rubber grommet.
6. Pull up on the factory air box and remove it.
7. Remove the air box mounting tray.
8. Mount the volant air box into the factory position with the hardware provided.
9. Line up the inserts in the filter box adapter with the holes in the MAF sensor, place the MAF gasket onto the MAF sensor and press onto the outside of the volant box then press the filter adapter onto the inside of the volant box and tighten the two together using the allen screws provided.
10. Attach the 3 3/4 x 4.5 sleeve to the MAF sensor and tighten with a #60 clamp.
11. Press the throttle body grommet onto the volant air duct.
12. Slide the duct into the sleeve and press the duct onto the throttle body and tighten the #60 and #72 clamp.
13. Attach the ram filter to the filter adapter and tighten the clamp.
14. Attach the air box lid to the box and tighten with the hardware cover.
15. Reinstall the engine cover.
16. Reattach the negative battery cable.

**WARNING: OVER TIGHTENING HARDWARE MAY ALTAR THE INTEGRITY OF THE VOLANT AIR INTAKE SYSTEM.**

**BEFORE ROAD TESTING**

1. Start engine, leaving the transmission in park and securing the parking brake.
2. Make sure to look and listen for any unusual noises or air leaks. Repair problems if needed.
3. Once completed it will be necessary to check periodically for realignment and tightening of all connections.
4. Once all tests are completed, enjoy the performance of your new Volant Air Intake System.

**CARE AND CLEANING**

Check the cotton reusable filter periodically and remove any excessive dirt build-up by tapping the filter on the ground and brushing off the loosened dirt. Clean the filter by using Volant's Filter Recharger Kit. Volant's Filter Recharger Kit is designed to restore original air flow. Re-oil every 10,000 miles without cleaning to improve filtering in sand and dirt. Clean only when dirt is very excessive or 50,000 miles.

**RECOMMENDED SERVICE PARTS**

RECOMMENDED SERVICE PARTS	PART NO.
POWERCORE FILTER	61517
COTTON FILTER REPLACEMENT	5119
PREFILTER	51921

**APPLICATION GUIDE**

MY	MAKE	MODEL	ENG.
99-07	GM	SILVER/SIERRA	4.8/5.3/6.0L
00-06	GM	TAHOE/YUKON	4.8/5.3/6.0L
00-06	CHEVROLET	SUBURBAN	4.8/5.3/6.0L
00-06	CHEVROLET	AVALANCHE	4.8/5.3/6.0L
00-06	CADILLAC	ESCALADE	4.8/5.3/6.0L

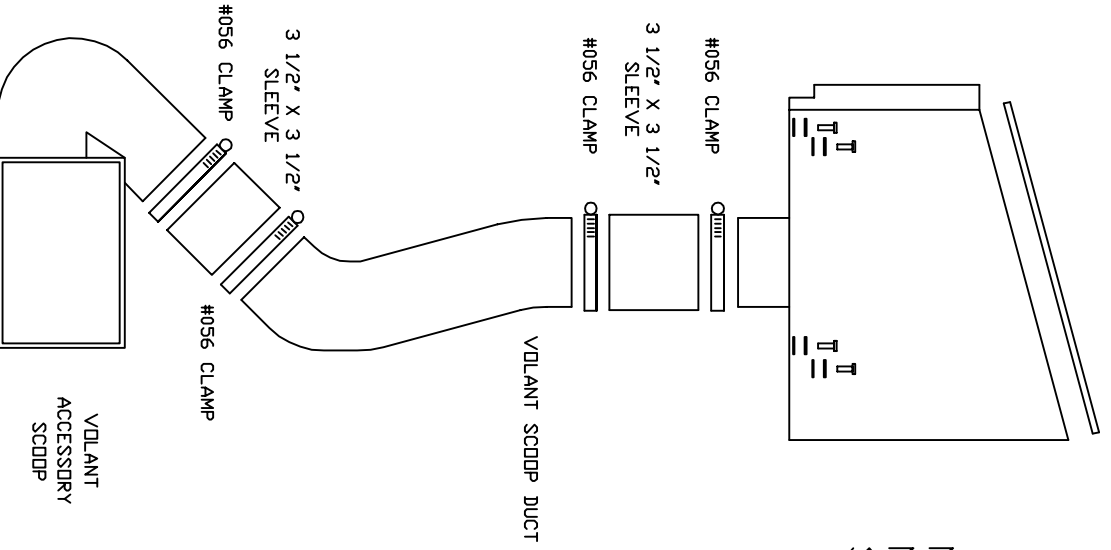
**INSTALL**



VOLANT COOL AIR INTAKES  
 PART NO.: 35960  
 INSTALLATION INSTRUCTIONS  
 WWW.VOLANT.COM  
 TECH SUPPORT: (909) 481-3888



35960 PARTS LIST	
1	VOLANT SCOOP DUCT
1	VOLANT ACCESSORY SCOOP
4	#056 CLAMPS
1	3 1/2' X 3 1/2' SLEEVE
1	3 1/2' X 2 1/2' SLEEVE



NOTE: VOLANT FILTER BOX  
 NOT INCLUDED WITH PART NO. 35960  
 SILVERADO SS SCOOP

