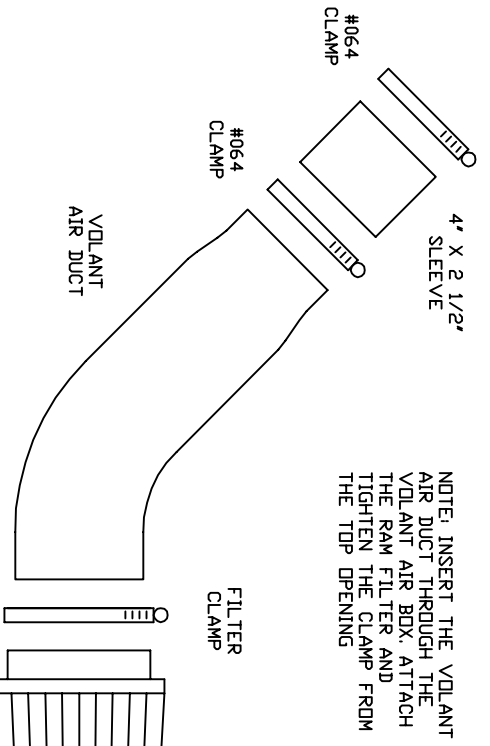


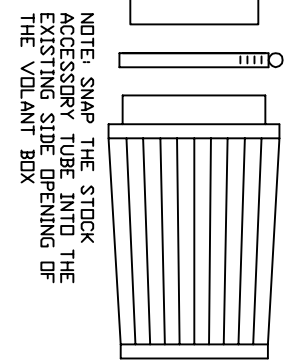
VOLANT COOL AIR INTAKES
 PART NO.: 19873
 INSTALLATION INSTRUCTIONS
 WWW.VOLANT.COM
 TECH SUPPORT: (909) 481-3888

19873 PARTS LIST

1	VOLANT AIR BOX	4	1/4"-20 TRUSS SCREWS	1	23 1/2" RUBBER TRIM
1	VOLANT AIR BOX LID	4	1/4" WASHERS	1	VOLANT BATTERY TRAY
1	VOLANT AIR DUCT	2	1/4" LOCK WASHERS		
1	RAM FILTER W/CLAMP	4	1/4" RUBBER WASHERS		
2	#064 CLAMPS	2	1/4" NUTS		
1	4" X 2" SLEEVE	1	1/2" RUBBER GROMMET		
2	1/4"-20 BOLTS	1	16 1/2" RUBBER TRIM		

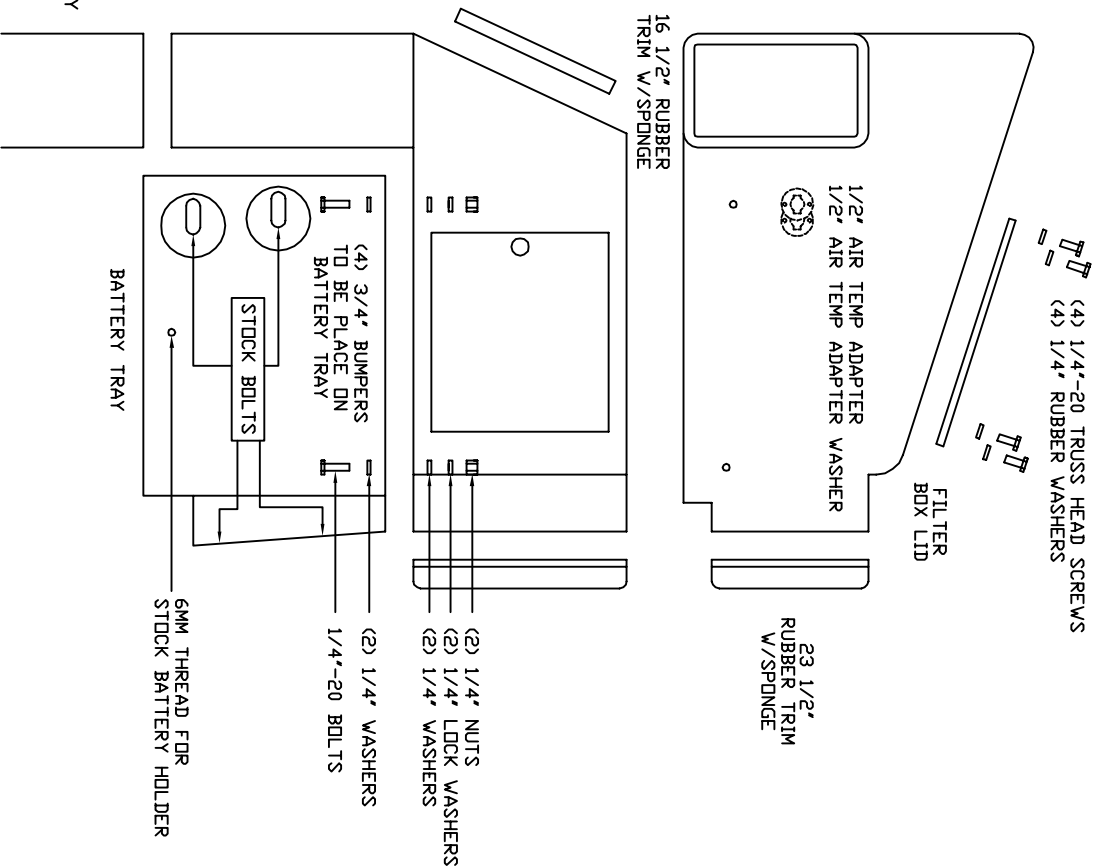


SIDE VIEW



TOP VIEW

STOCK ACCESSORY TUBE



- (4) 1/4"-20 TRUSS HEAD SCREWS
- (4) 1/4" RUBBER WASHERS
- (2) 1/4" NUTS
- (2) 1/4" LOCK WASHERS
- (2) 1/4" WASHERS
- (2) 1/4" WASHERS
- 1/4"-20 BOLTS
- 6MM THREAD FOR STOCK BATTERY HOLDER





Volant Performance
 Rancho Cucamonga, CA 91730
 (909) 481-3888 Tech Support
 (909) 476-1491 Fax
 www.volant.com

READ INSTRUCTIONS THOROUGHLY BEFORE DISASSEMBLING. DO NOT SKIP ANY STEPS. ANY QUESTIONS ON A VOLANT KIT MAY BE REFERRED TO OUR TECH SUPPORT LINE AT (909) 481-3888 OR VISIT OUR WEBSITE AT WWW.VOLANT.COM

INSTALLATION INSTRUCTIONS PART NO. 19873

Installation Instructions:

1. Disconnect the passenger side negative battery cable and remove the driver's side battery
2. Pull the filter minder out of the factory air box
3. Remove the factory ATS sensor by twisting and pulling straight out
4. Loosen the clamp holding the air duct into the turbo inlet pipe
5. Remove the (4) bolts holding the factory air box down
6. Pull up on the factory air box and remove it from the engine compartment
7. Remove the factory battery tray
8. Press the factory fresh air piping into the volant box
9. Press the 231/2in trim to the large oval port on the side of the air box
10. Press the 161/2in trim around the round hole in the volant box
11. Attach the volant battery tray to the volant box using the hardware provided
12. Place the volant box into factory position and bolt the battery tray to the fenderwell using the factory bolts
13. Twist the ATS sensor into the metal ring in the back of the volant box
14. Press the filter minder into the rubber grommet on the volant box
15. Attach the 4 x 2 1/2 sleeve onto the turbo inlet pipe and attach it with a #64 clamp
16. Slide the duct through the air box lid and out the round hole and ABOVE the inlet opening
17. Place the volant filter into the volant box and slide the air duct into the filter and tighten the filter clamp. Slide the duct into the sleeve and tighten the #64 clamp
18. Attach the volant air box lid and tighten with the (4) truss head screws
19. Reinstall the battery and tighten down with the factory hold down hardware
20. Reattach the negative battery cable

WARNING: OVER TIGHTENING HARDWARE MAY ALTER THE INTEGRITY OF THE VOLANT AIR INTAKE SYSTEM.

BEFORE ROAD TESTING

1. Start engine, leaving the transmission in park and securing the parking brake.
2. Make sure to look and listen for any unusual noises or air leaks. Repair problems if needed.
3. Once completed it will be necessary to check periodically for realignment and tightening of all connections.
4. Once all tests are completed, enjoy the performance of your new Volant Air Intake System.

CARE AND CLEANING

Check the cotton reusable filter periodically and remove any excessive dirt build-up by tapping the filter on the ground and brushing off the loosened dirt. Clean the filter by using Volant's Filter Recharger Kit. Volant's Filter Recharger Kit is designed to restore original air flow. Re-oil every 10,000 miles without cleaning to improve filtering in sand and dirt. Clean only when dirt is very excessive or 50,000 miles.

RECOMMENDED SERVICE PARTS

RECOMMENDED SERVICE PARTS	PART NO.
REPLACEMENT FILTER	5153
PREFILTER	51903
CLEANING KIT	5110

APPLICATION GUIDE

MY	MAKE	MODEL	ENG.
99-03	FORD	EXCURSION	7.3L
99-03	FORD	F-250	7.3L
99-03	FORD	F-350	7.3L

INSTALL

