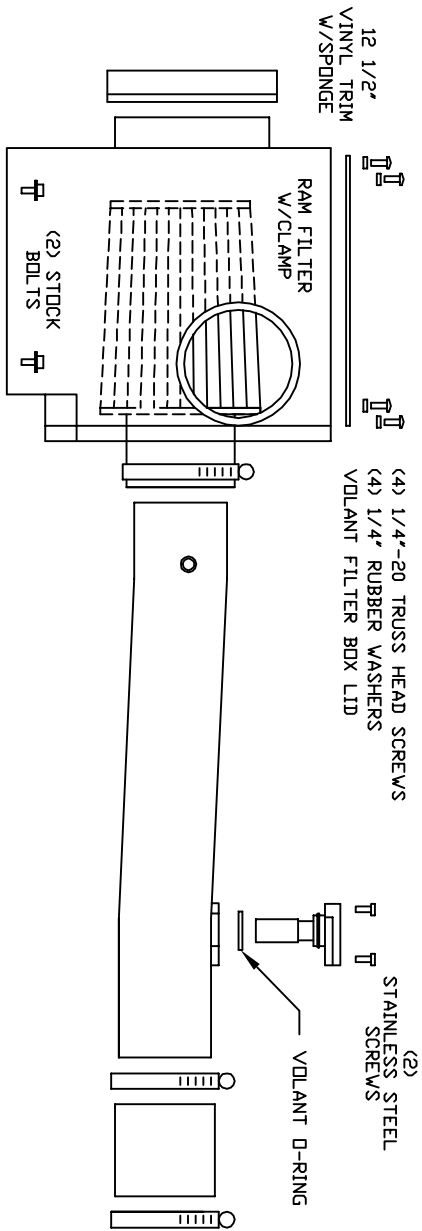


VOLANT COOL AIR INTAKES
 PART NO.: 18640
 INSTALLATION INSTRUCTIONS
 WWW.VOLANT.COM
 TECH SUPPORT: (909) 481-3888

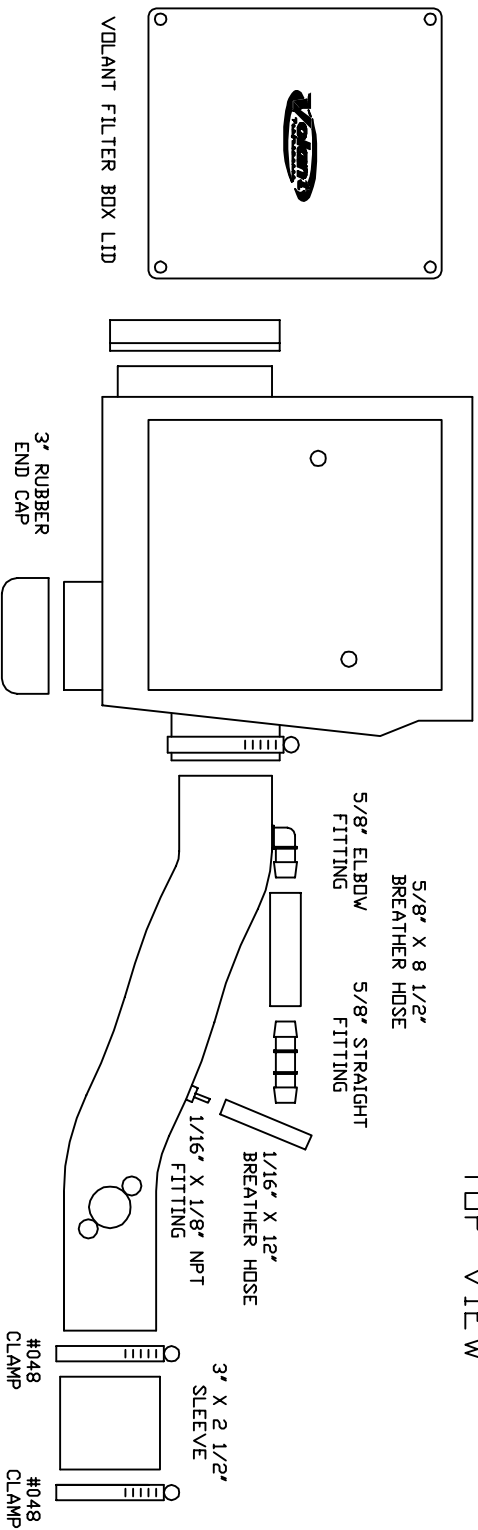
18640 PARTS LIST

1	VOLANT FILTER BOX	4	1/4" RUBBER WASHERS	1	5/8" X 8 1/2" BREATHER HOSE
1	VOLANT FILTER BOX LID	2	STAINLESS STEEL SCREWS	1	1/16" X 12" BREATHER HOSE
1	VOLANT AIR FLOW DUCT	1	VOLANT O-RING	1	3" RUBBER END CAP
1	RAM FILTER W/CLAMP	1	5/8" ELBOW FITTING		
1	3" X 2 1/2" SLEEVE	1	5/8" STRAIGHT FITTING		
2	#048 CLAMPS	1	1/16" X 1/8" NPT FITTING		
4	1/4"-20 TRUSS HEAD SCREWS	1	12 1/2" VINYL TRIM W/SPONGE		

SIDE VIEW



TOP VIEW





Volant Performance
 Rancho Cucamonga, CA 91730
 (909) 481-3888 Tech Support
 (909) 476-1491 Fax
 www.volant.com

READ INSTRUCTIONS THOROUGHLY BEFORE DISASSEMBLING. DO NOT SKIP ANY STEPS. ANY QUESTIONS ON A VOLANT KIT MAY BE REFERRED TO OUR TECH SUPPORT LINE AT (909) 481-3888 OR VISIT OUR WEBSITE AT WWW.VOLANT.COM

INSTALLATION INSTRUCTIONS PART NO. 18640

Installation Instructions:

1. Disconnect the negative battery cable.
2. Remove the engine cover.
3. Loosen the clamp holding the duct to the air box
4. Loosen the clamp holding the air box to the throttle body.
5. Remove the two bolts holding the resonator box to the wheel well.
6. Remove the MAF sensor from the air box.
7. Remove the two breather hoses from the air box.
8. Remove the three bolts holding the air box into place.
9. Press the 12.5 trim onto the air box where it meets the fender
10. Place the volant box into factory position and tighten down with the factory hardware.
11. Slide the filter through the airbox opening.
12. Slide the 3in sleeve onto the throttle body end of the air duct.
13. Press the duct into the filter and slide the sleeve off of the duct and onto the throttle body and tighten the clamps.
14. Attach the 5/8 breather hose onto the elbow fitting and onto the crankcase.
15. Attach the 1/8 breather hose to the duct and to the motor.
16. Replace the factory o-ring on the MAF with the volant ring and attach to the duct with the hardware provided.
17. Reinstall the negative battery cable.

WARNING: OVER TIGHTENING HARDWARE MAY ALTAR THE INTEGRITY OF THE VOLANT AIR INTAKE SYSTEM.

BEFORE ROAD TESTING

1. Start engine, leaving the transmission in park and securing the parking brake.
2. Make sure to look and listen for any unusual noises or air leaks. Repair problems if needed.
3. Once completed it will be necessary to check periodically for realignment and tightening of all connections.
4. Once all tests are completed, enjoy the performance of your new Volant Air Intake System.

CARE AND CLEANING

Check the cotton reusable filter periodically and remove any excessive dirt build-up by tapping the filter on the ground and brushing off the loosened dirt. Clean the filter by using Volant's Filter Recharger Kit. Volant's Filter Recharger Kit is designed to restore original air flow. Re-oil every 10,000 miles without cleaning to improve filtering in sand and dirt. Clean only when dirt is very excessive or 50,000 miles.

RECOMMENDED SERVICE PARTS

RECOMMENDED SERVICE PARTS	PART NO.
REPLACEMENT FILTER	5129
PREFILTER	51901
CLEANING KIT	5100
RAM AIR SCOOP	38640

APPLICATION GUIDE

MY	MAKE	MODEL	ENG.
05-10	TOYOTA	TACOMA/X RUNNER	4.0L

INSTALL

