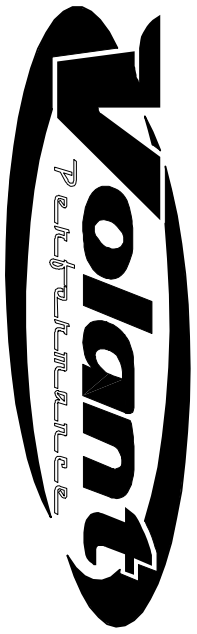
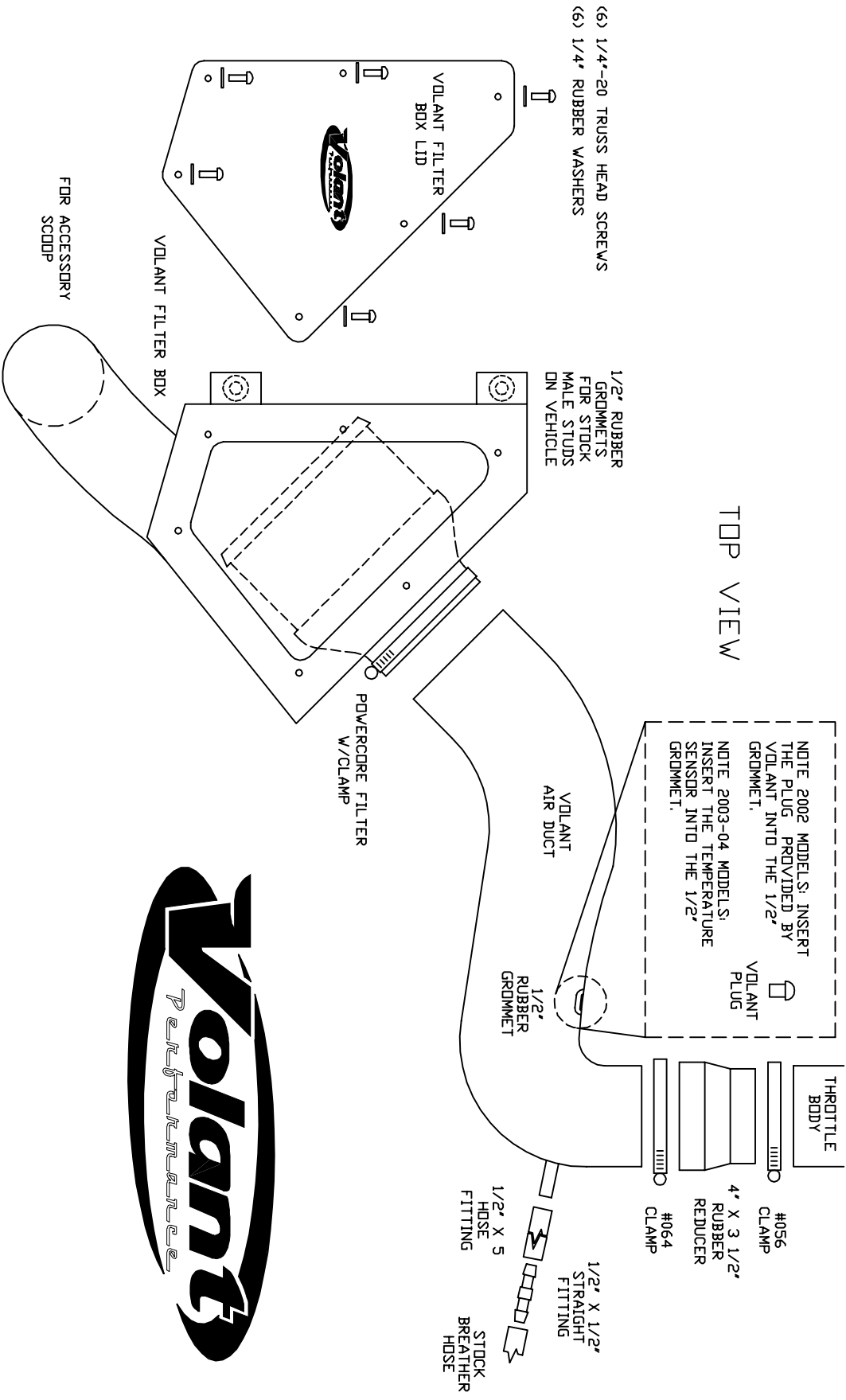


VOLANT COOL AIR INTAKES
 PART NO.: 168476
 INSTALLATION INSTRUCTIONS
 WWW.VOLANT.COM
 TECH SUPPORT: (909) 481-3888

168476 PARTS LIST

1	VOLANT FILTER BOX	6	1/4"-20 TRUSS HEAD SCREWS
1	VOLANT FILTER BOX LID	6	1/4" RUBBER WASHERS
1	VOLANT AIR DUCT	1	1/2" X 5' BREATHER HOSE
1	POWER CORE FILTER W/CLAMP	1	1/2" X 1/2' STRAIGHT FITTING
1	4" X 3 1/2" REDUCER	1	1/2" RUBBER GROMMET
1	#056 CLAMP	1	1/2" RUBBER PLUG
1	#064 CLAMP		

TOP VIEW





Volant Performance
 Rancho Cucamonga, CA 91730
 (909) 481-3888 Tech Support
 (909) 476-1491 Fax
 www.volant.com

READ INSTRUCTIONS THOROUGHLY BEFORE DISASSEMBLING. DO NOT SKIP ANY STEPS. ANY QUESTIONS ON A VOLANT KIT MAY BE REFERRED TO OUR TECH SUPPORT LINE AT (909) 481-3888 OR VISIT OUR WEBSITE AT WWW.VOLANT.COM

INSTALLATION INSTRUCTIONS PART NO. 168476

Installation Instructions:

1. Switch the vehicle to the off position and disconnect negative battery cable.
2. Using 5/16 nut driver or flat head screwdriver remove the accordion hose by loosening both hose clamps. Slide hose off stock square resonator box labeled (4.7 liter) and stock filter box.
3. Lift filter box up and out of engine compartment. Remove four (4) rubber grommets from underneath stock filter box. Relocate all four (4) grommets underneath new Volant filter box.
4. To remove stock square resonator box labeled (4.7 liter), remove two (2) 10 MM bolts and do not disconnect but remove the air temperature sensor by pressing in clip and turn, then slide breather hose off of stock square resonator box labeled (4.7 liter). Pull stock square resonator box labeled (4.7 liter) from throttle body and remove orange silicone sleeve from throttle body.
5. Align new Volant filter box assembly over existing stock mounting post and press down firmly.
6. Apply 4 x 3 1/2" silicone reducer onto the throttle body using the 3 1/2 side and tighten with the #056 hose clamp using 5/16 nut driver or flat head screwdriver.
7. Connect the Volant air duct to 4 x 3 1/2 reducer and wrap the #064 hose clamp. DO NOT tighten until everything is in place.
8. Place ram filter in the Volant filter box and feed base of filter through the 5" opening. Connect the Volant air duct to the ram filter w/clamp. Now tighten all 3 clamps.
9. Cover Volant filter box with Volant filter box lid. Align lid opening and fasten all six (6) 1/4"-20 truss head screws with the 1/4" rubber washer. Tighten all six 1/4"-20 screws with a Phillips screwdriver.
10. Connect the 1/2" to 1/2" straight fitting with 1/2" X 5" breather hose to 1/2" fitting on back of Volant air duct. Connect the stock valve cover breather hose to the 1/2" to 1/2" straight fitting. NOTE: 2002 model do not have an air temperature sensor, therefore, you insert the 1/2" rubber plug provided by Volant into the 1/2" rubber grommet on the Volant intake duct. 2003-06 models, insert the air temperature sensor instead of the 1/2" rubber plug.
11. Make sure everything is properly connected and tighten all clamps.
12. Reconnect negative battery cable.

WARNING: OVER TIGHTENING HARDWARE MAY ALTAR THE INTEGRITY OF THE VOLANT AIR INTAKE SYSTEM.

BEFORE ROAD TESTING

1. Start engine, leaving the transmission in park and securing the parking brake.
2. Make sure to look and listen for any unusual noises or air leaks. Repair problems if needed.
3. Once completed it will be necessary to check periodically for realignment and tightening of all connections.
4. Once all tests are completed, enjoy the performance of your new Volant Air Intake System.

CARE AND CLEANING

Check the cotton reusable filter periodically and remove any excessive dirt build-up by tapping the filter on the ground and brushing off the loosened dirt. Clean the filter by using Volant's Filter Recharger Kit. Volant's Filter Recharger Kit is designed to restore original air flow. Re-oil every 10,000 miles without cleaning to improve filtering in sand and dirt. Clean only when dirt is very excessive or 50,000 miles.

RECOMMENDED SERVICE PARTS

RECOMMENDED SERVICE PARTS	PART NO.
POWERCORE FILTER UPGRADE	61512
REPLACEMENT COTTON FILTER	5118
FOG LAMP SCOOP	36857
PREFILTER	51902
CLEANING KIT	5100

APPLICATION GUIDE

MY	MAKE	MODEL	ENG.
02-07	DODGE	RAM	4.7L

INSTALL

