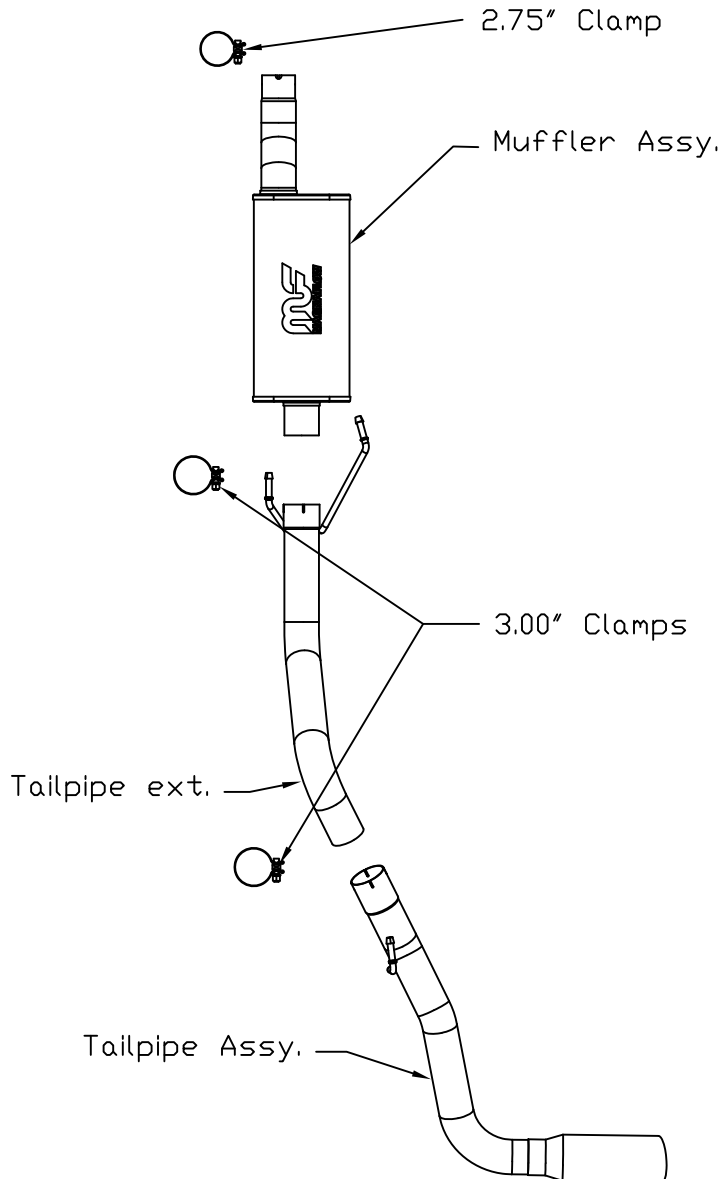


2004 Dodge Hemi Single Tailpipe SC/CC



**Warning:** When working on, under, or around any vehicle exercise caution. Please allow the vehicle's exhaust system to cool before removal, as exhaust system temperatures may cause severe burns. If working without a lift, always consult vehicle manual for correct lifting specifications. Always wear safety glasses and ensure a safe work area. Serious injury or death could occur if safety measures are not followed.

**Step 1:** (Carefully read all instructions before installation)

Disconnect the vehicle's battery before removal of the OEM exhaust. This will allow the computer to reset itself with the new system, and prevent electrical accidents. Unbolt the OEM exhaust system from behind the catalytic converter and remove it from the vehicle.

**Step 2:** Begin installation of the new exhaust system

by fastening the muffler assembly to the catalytic converter using the supplied 2.75" clamp. Leave all fasteners and clamps loose for final adjustment of the complete system. Install the tailpipe extension and tailpipe assembly using the supplied 3.00" clamps and by fitting the welded hangers into the rubber insulators.

**Step 3:** With all components mounted loosely, adjust

the system for overall aesthetics and clearance of frame & bodywork. (MAGNAFLOW recommends at least 1/2" of clearance between the exhaust system and any body panels to prevent heat-related body damage or fire.)

**Step 4:** Once a final position has been chosen for the

new system, evenly tighten all fasteners from front to rear. The supplied band clamps must be VERY tight to properly align the pipes and prevent leaks (Approximately 40ft-lbs). U-bolt clamps should be tightened to approximately 30-35ft-lbs. Inspect all fasteners after 25-50 miles of operation and retighten if necessary.

\*MAGNAFLOW Performance Exhaust recommends professional installation on all their products

Technical support: 1-800-959-9226 ext. 4500