

## Exhaust System Installation for BMW 335i/435i Sedan\*

### PN-140579, 140580



**\*\*\*\*\* Please compare the parts in the box with the bill of materials provided \*\*\*\*\*  
(view the following pages) to assure that you have all the parts necessary for this installation.**

These instructions have been written to help you with the installation of your Borla Performance System. Please read this document completely before beginning the installation of your system.

To ensure this part number fits your specific model year, please visit our website for the latest model year listings at [www.BORLA.com](http://www.BORLA.com)

**Thank you for purchasing a Borla Performance Exhaust System.**

**Borla Performance Cat-Back™ Exhaust System PN-(140579, 140580) is designed for the F30 BMW 335i/435i Sedan equipped with a 3.0L Turbo 6-cylinder engine, Rear Wheel Drive\*, automatic or manual transmissions.**

**\* Does not fit the All Wheel Drive (Xi) models.**

Borla Performance Industries recommends that an exhaust shop or professional after market parts installer perform the installation of this system. However, if you decide to perform the installation on your own it is recommended that two people are used. This installation should not be performed by one person due to the risk of injury. Ensure the installers use all under car safety precautions including eye protection.

*Please take time to read and understand the following...*

By installing your Borla Performance Exhaust System, you indicate that you have read this document and you agree with the terms stated below.

It is the responsibility of the purchaser to follow all installation instruction guidelines and safety procedures supplied with your Borla Performance Exhaust System.

Borla Performance Industries assumes no responsibility for damages occurring from misuse, abuse, improper installation, improper operation, lack of responsible care, or all previously stated reasons resulting from incompatibility with other manufacturer's products and/or systems.

Included with your Borla Performance Exhaust System is a warranty card. Please read it carefully before you begin any work on your vehicle. If you should have any questions regarding our warranty policy, installation, or any other matter pertaining to your new Borla Performance Exhaust System, please give us a call at the number provided on the warranty card.

**Minimum Required Tool List:**

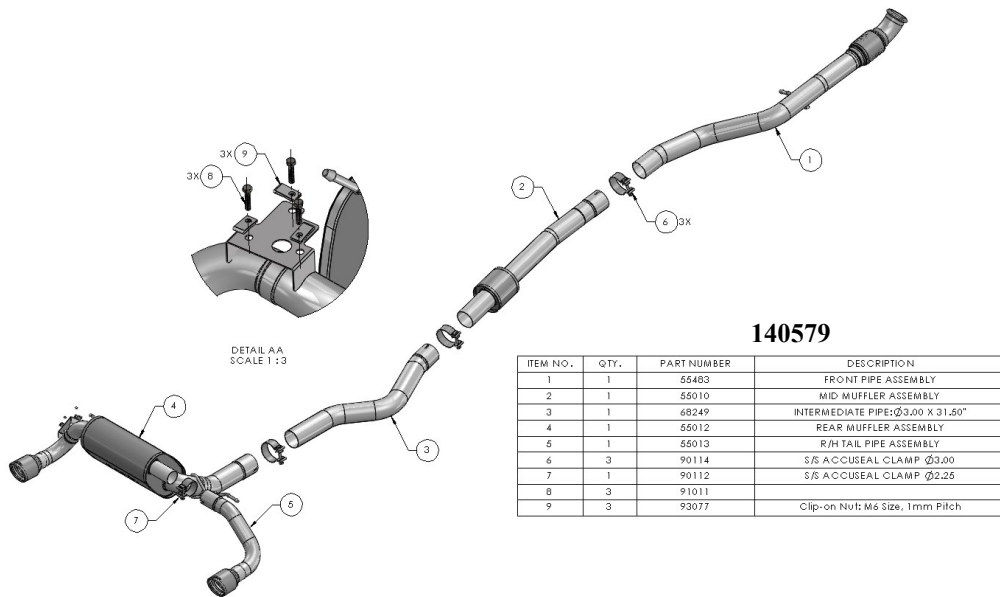
**TOOLS:**

- 1 3/8" Drive Ratchet
- 2 3/8" Drive Extension 3"
- 3 10mm, 13mm, 15mm Sockets
- 5 Pry Bar

**SHOP SUPPLIES:**

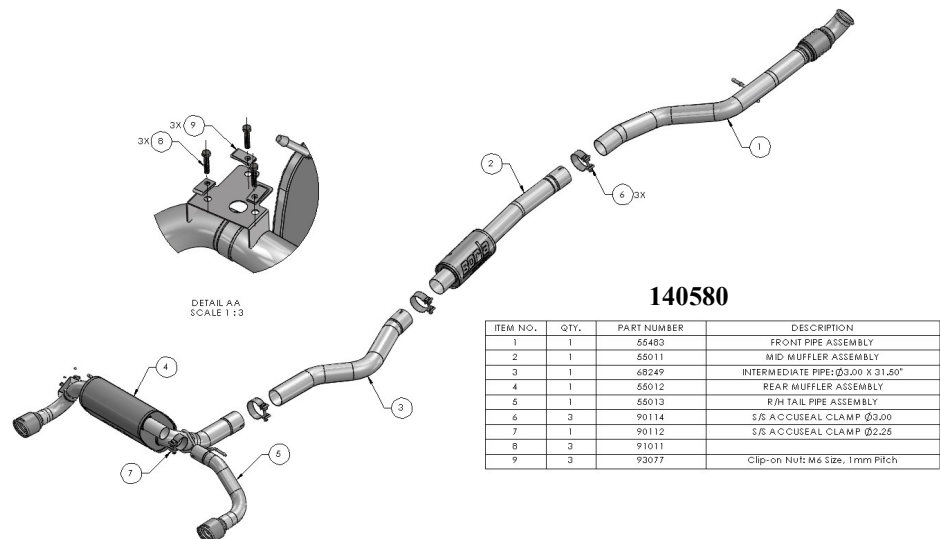
- 1 Spray Lubricant

**Borla Performance Bill of Materials**



**140579**

ITEM NO.	QTY.	PART NUMBER	DESCRIPTION
1	1	55483	FRONT PIPE ASSEMBLY
2	1	55010	MID-MUFFLER ASSEMBLY
3	1	48249	INTERMEDIATE PIPE: Ø3.00 X 31.50"
4	1	55012	REAR MUFFLER ASSEMBLY
5	1	55013	R/H TAIL PIPE ASSEMBLY
6	3	90114	S/S ACCUSEAL CLAMP Ø3.00
7	1	90112	S/S ACCUSEAL CLAMP Ø2.25
8	3	91011	
9	3	93077	Clip-on Nut: M6 Size, 1mm Pitch



**140580**

ITEM NO.	QTY.	PART NUMBER	DESCRIPTION
1	1	55483	FRONT PIPE ASSEMBLY
2	1	55011	MID-MUFFLER ASSEMBLY
3	1	48249	INTERMEDIATE PIPE: Ø3.00 X 31.50"
4	1	55012	REAR MUFFLER ASSEMBLY
5	1	55013	R/H TAIL PIPE ASSEMBLY
6	3	90114	S/S ACCUSEAL CLAMP Ø3.00
7	1	90112	S/S ACCUSEAL CLAMP Ø2.25
8	3	91011	
9	3	93077	Clip-on Nut: M6 Size, 1mm Pitch

**Caution!!!** *Never work on a hot exhaust system. Serious injury in the form of burns can result if the vehicle has been in use and the exhaust system is hot, allow vehicle to cool for at least 1 hour. Always wear eye protection when working under any vehicle.*

**Note:** *It is our recommendation that you use a hoist or hydraulic lift to facilitate the installation of your new Borla Performance Exhaust System.*

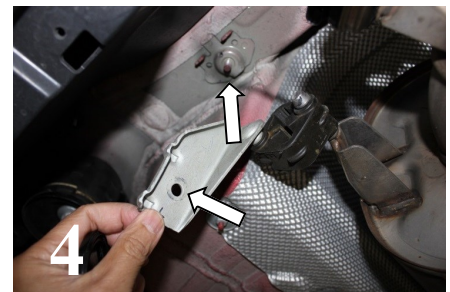
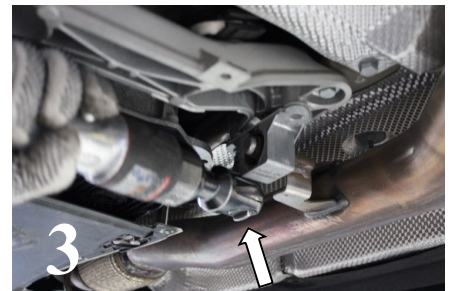
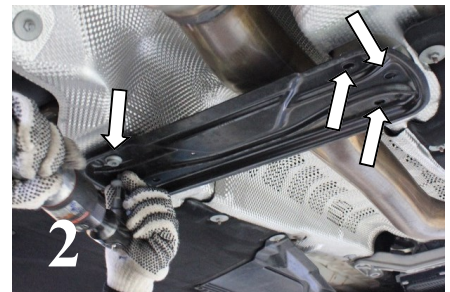
**Taking all under car safety precautions, lift the vehicle using a hoist or hydraulic lift. Once this has been done, you may begin the removal of your old exhaust system from your vehicle.**

**Note:** *Before removing the original exhaust system from your vehicle, please compare the parts you have received with the bill of materials provided on the previous page to assure that you have all the parts necessary for the installation of your new Borla Performance Exhaust System.*

**Note:** *With a used vehicle, we suggest a penetrating spray lubricant to be applied liberally to all exhaust fasteners and allowing a significant period of time for the chemical to lubricate the threads before attempting to disassemble.*

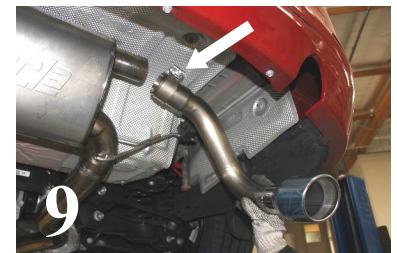
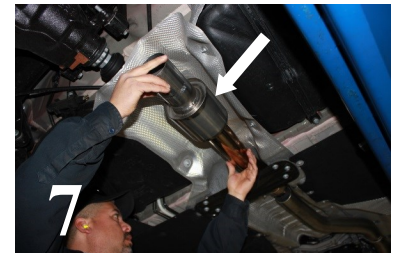
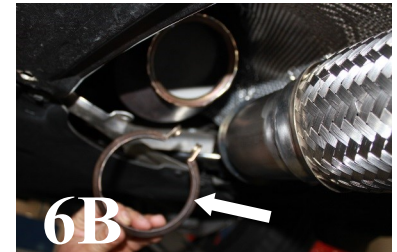
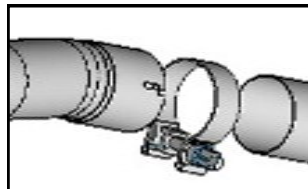
## Original Exhaust System Removal

1. Stock exhaust removes in 1-piece and no cutting is required. Carefully disconnect wire harness from factory exhaust valve. **NOTE: Your new cat-back includes mounting provisions for this valve and harness connection. The valve will not be operative with your new Borla cat-back. (See Fig. 1)**
2. Remove cross-brace and keep hardware for re-installation with your new cat-back. (See Fig. 2)
3. Using a muffler stand or an additional person to hold the muffler assembly up when removing exhaust hanger bolts. Loosen (2) bolts on front hanger. (See Fig. 3)
4. Loosen front muffler clamp. Keep hardware for reinstallation later.
5. Loosen (2) bolts on left and right rear muffler hangers. (See Fig. 4)
6. Remove the system from the rear. Original rubber isolators are used in the installation of your new exhaust system. (See Fig. 5)
7. Reinstall cross-brace and tighten hardware.
8. Reinstall (3) hangers from OE exhaust and reinstall to vehicle using factory hardware. Tighten 32-35 ft-lbs.



## Borla Performance Cat-Back™ Exhaust System Installation

1. Refer to Page 2 drawing. Re-install the electronic exhaust valve to **Rear Muffler Assembly** using provided hardware. Tighten hardware 32-35 ft. lbs.
2. Install **Front Pipe Assembly** inserting hangers into factory rubber isolators. Re-install factory hardware and tighten 18-20 ft.lbs. (See Fig. 6A & 6B)
3. Place a clamp over the **Mid Muffler Assembly** and place inlet over **Front Pipe Assembly**. LIGHTLY TIGHTEN CLAMP BOLT.
4. Place a clamp over the **Intermediate Pipe Assembly** and place pipe inlet over **Mid-Pipe Assembly**. LIGHTLY TIGHTEN CLAMP BOLT. (See Fig. 7)
5. Place a clamp over the **Rear Muffler Assembly** and place pipe inlet over **Intermediate Pipe Assembly**. Carefully insert hangers into rubber isolators. LIGHTLY TIGHTEN CLAMP BOLT. (See Fig. 8)
6. Place a clamp over the **RH Tail Pipe Assembly** and place pipe inlet over right-side of muffler. Carefully insert hangers into rubber isolators. LIGHTLY TIGHTEN CLAMP BOLT. (See Fig. 8)
7. Check your exhaust system for proper clearance under the vehicle and also for tip alignment. (See Fig. 10) Once position has been determined to be correct, tighten the Accuseal™ clamp 32-35 ft. lbs. Tighten the OE clamp bolts. *NOTE: When properly clamped, the Accuseal pipe closes with interlocking notches creating a proper seal.*
8. **Connect wire to harness to electronic actuator.**
9. Before starting your vehicle, make sure to check all wires, hoses, brake lines, body parts and tires for safe clearance from the exhaust system.
10. Start vehicle and check for any leaks. If any leaks are found, determine cause (such as loose or incorrectly positioned clamp) and repair as necessary.



**WARNING:** Use extreme caution during installation. Torque all fasteners according to manufacturer's torque values and tightening sequence. **DO NOT** use air impact tools to tighten fasteners on Borla Performance Exhaust Systems. Use of such tools may result in bent flanges or gasket contact areas leading to exhaust leaks.

**NOTE:** When you first start your vehicle after the installation of your new Borla Performance Exhaust System, there may be some smoke and fumes coming from the system. This is a protective oil based coating used in the manufacturing of mandrel bent performance exhaust tubing. This is not a problem and will disappear within a very short period of time after the exhaust has reached normal operating temperatures.