



**Thank you for purchasing a Borla Performance Cat-back™ Exhaust System.**

Precision manufactured using aircraft quality T-304 stainless steel; this system is designed to endure years of heavy use. Installing a Borla Performance Exhaust System on your vehicle will eliminate the restrictive design of the stock exhaust, allowing your engine to discharge exhaust gas easier. The result is more horsepower and torque, longer engine life, and a distinctive throaty growl- all this, with easy bolt-on installation. These installation instructions have been written to help you in the installation of your Borla Performance Exhaust System. Please read it completely before installing your system.

**Borla Performance Cat-back™ Exhaust System (Part number 140027) has been designed for the 2002-2003 BMW Mini Cooper S equipped with a supercharged 1.6L 4-cylinder engine and automatic or manual transmissions.**

**Borla Performance Cat-back™ Exhaust System (Part number 140120) has been designed for the 2004-2006 BMW Mini Cooper S equipped with a supercharged 1.6L 4-cylinder engine and automatic or manual transmissions.**

Borla Performance Industries recommends that an exhaust shop or professional after market parts installer, who has all the necessary equipment, tools and experienced personnel needed for proper installation, should perform the installation of this system. However, if you decide to perform the installation, we recommend someone should help you. Ensure the installer uses all under car safety precautions including eye protection.

*Please take time to read and understand the following...*

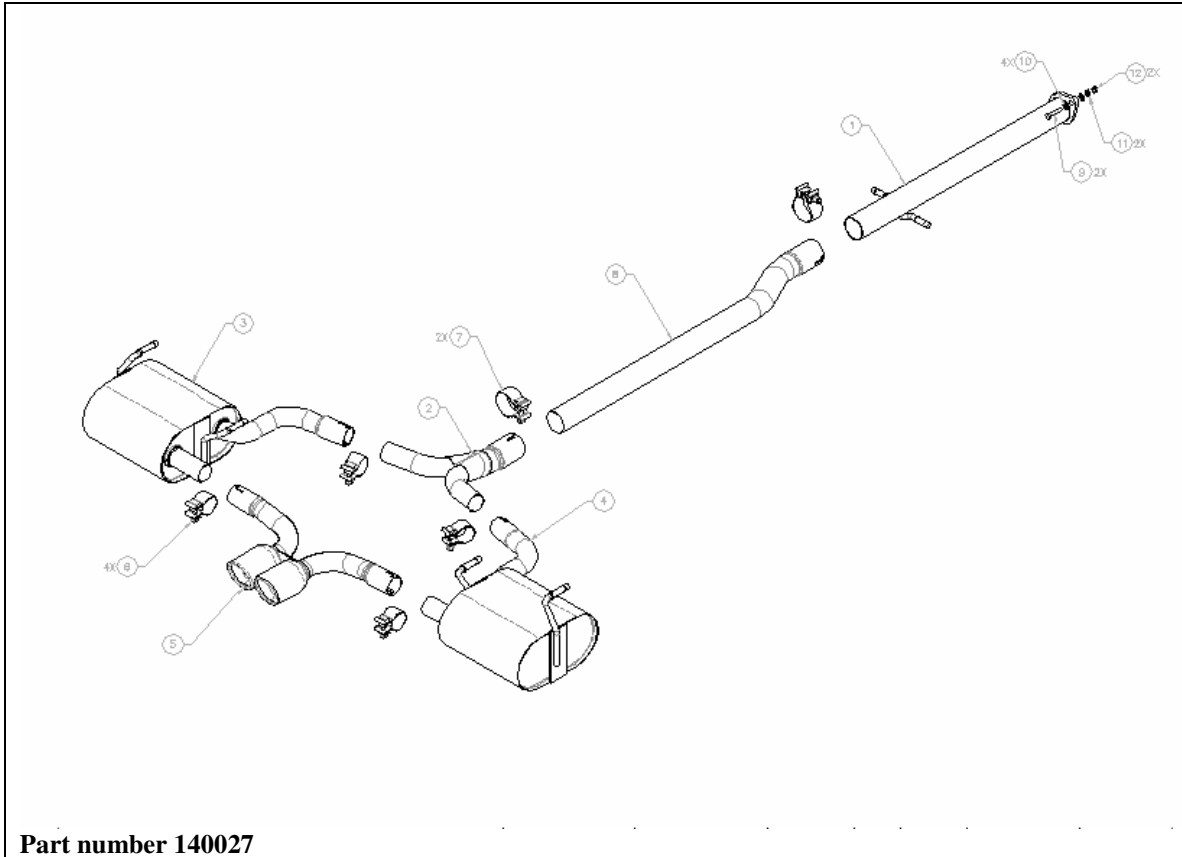
By installing your Borla Performance Exhaust System, you indicate that you have read this document and you agree with the terms stated below.

It is the responsibility of the purchaser to follow all installation instruction guidelines and safety procedures supplied with your Borla Performance Exhaust System

Borla Performance Industries assumes no responsibility for damages occurring from misuse, abuse, improper installation, improper operation, lack of responsible care, or all previously stated reasons resulting from incompatibility with other manufacturer's products and/or systems.

Included with your Borla Performance Exhaust System is a warranty card. Please read it carefully before you begin any work on your vehicle. If you should have any questions regarding our warranty policy, installation, or any other matter pertaining to your new Borla Performance Exhaust System, please give us a call at the number provided on the warranty card.

## Borla Performance Cat-back™ Bill of Materials



**Part number 140027**

1. Front pipe assembly
2. Y pipe assembly
3. Left muffler assembly
4. Right muffler assembly
5. Tail pipe assembly
6. 1.75" Accuseal™ clamp (qty 4)
7. 2.25" Accuseal™ clamp (qty 2)
8. Intermediate pipe
9. Hex head screw (qty 2)
10. Flat washer (qty 4)
11. Lock washer (qty 2)
12. Hex nut (qty 2)

**Caution!!! Never work on a hot exhaust system. Serious injury in the form of burns can result** If the vehicle has been in use and the exhaust system is hot, allow vehicle to cool for at least 1 hour. Always wear eye protection when working under any vehicle.

*Note: It is our recommendation that you use a hoist or hydraulic lift to facilitate the installation of your new Borla Performance Cat-back™ Exhaust System.*

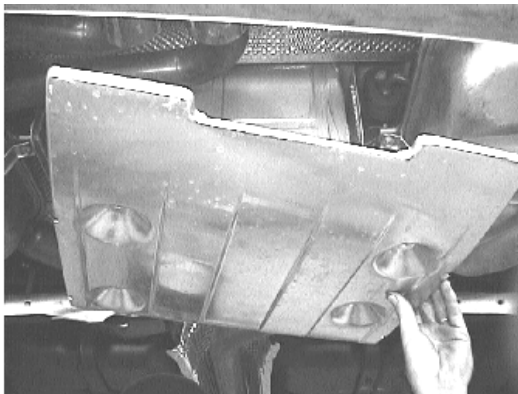
Taking all under car safety precautions, lift the vehicle using a hoist or hydraulic lift. Once this has been done, you may begin the removal of your old exhaust system from your vehicle.

**Note: Before removing the original exhaust system from your vehicle, please compare the parts you have received with the bill of materials provided on the previous page to assure that you have all the parts necessary for the installation of your new Borla Performance Cat-back™ Exhaust System.**

## Original Exhaust System Removal

*Note: With a used vehicle, we suggest a penetrating spray lubricant to be applied liberally to all exhaust fasteners and allowing a significant period of time for the chemical to lubricate the threads before attempting to disassemble.*

1. At the rear of the vehicle, remove the four bolts securing the heat shield in place and remove the heat shield shown in figure 1.
2. At the center of the vehicle, remove 8 bolts that secure the support bracket to the vehicle and to the rubber brackets as shown in figure 2.
3. Lubricate all hangers and rubber brackets.
4. Using a muffler stand or an additional person to hold the exhaust system up in place, remove the two inner most hangers from the rubber brackets on the vehicle.

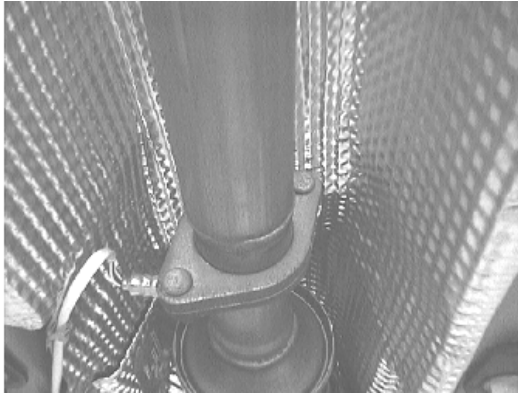


**Figure 1**

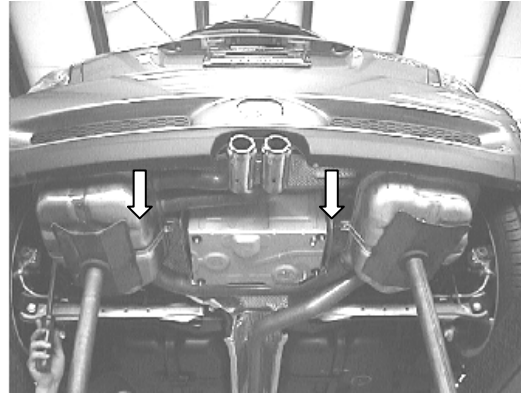


**Figure 2**

5. Unbolt the flange just rear of the catalytic converter shown in figure 3.
6. Unbolt the two innermost bolts on the muffler straps shown in figure 4 and pull straps open.



**Figure 3**



**Figure 4**

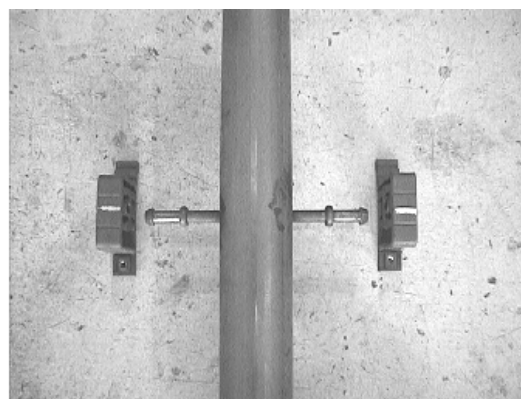
7. Remove the old exhaust system shown in figure 5 from the vehicle.
8. Once system is removed, remove muffler straps shown in figure 6 from the vehicle by removing the hangers from the rubber brackets.
9. Remove rubber brackets shown in figure 7 from exhaust system.



**Figure 5**



**Figure 6**

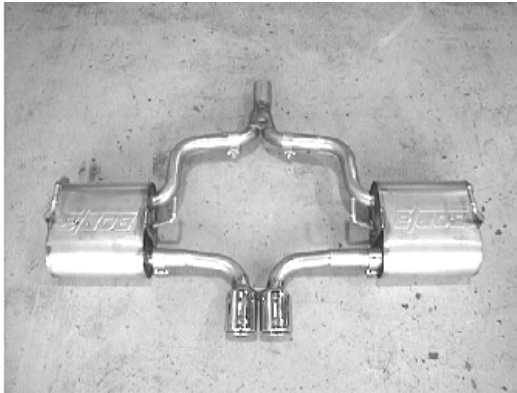


**Figure 7**

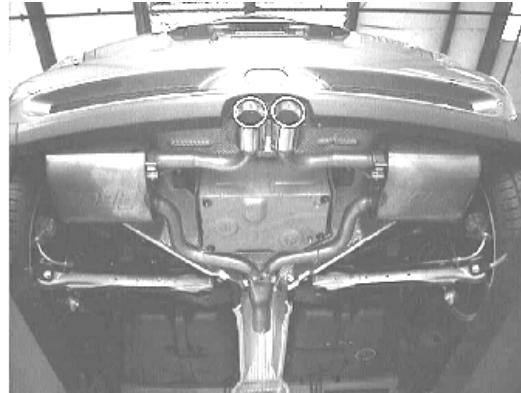
# Borla Performance Cat-back™ Exhaust System Installation

**Warning:** Use extreme caution during installation. Torque all fasteners according to manufacturer's torque values and tightening sequence. **DO NOT** use air impact tools to tighten fasteners on Borla Performance Exhaust Systems. Use of such tools may result in bent flanges or gasket contact areas leading to exhaust leaks.

1. Assemble the entire rear section as shown in figure 8. Do Not tighten the clamps.
2. Lift the assembled rear section into place and install the rubber brackets on to the hangers as shown in figure 9.



**Figure 8**

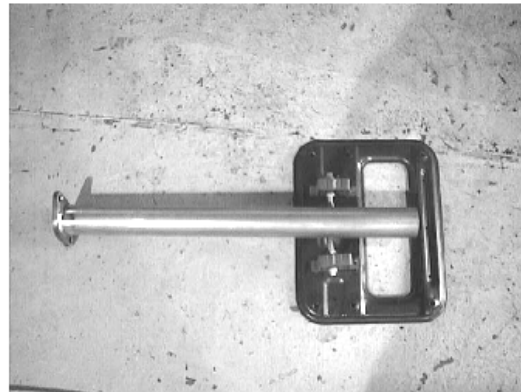


**Figure 9**

3. Place clamp on the expanded end of the rear section and slide the intermediate pipe into rear section as shown in figure 10.
4. Install rubber brackets shown in figure 7 on to front pipe and install support bracket as shown in figure 11 using the original hardware.



**Figure 10**

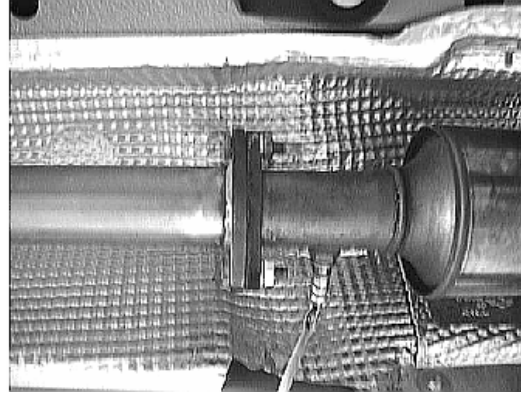


**Figure 11**

5. Place clamp over the expanded end of the intermediate pipe and install the entire front pipe assembly on to the vehicle using the original hardware for the support bracket as shown in figure 12.
6. Install gasket and hardware provided into flange as shown in figure 13 and tighten to manufacturers specifications.



**Figure 12**



**Figure 13**

7. Tighten the Accuseal™ clamps to 32-35 ft. lbs. working from the front of the vehicle to the rear making sure to align the tips when reaching the final two clamps.
8. Install heat shield shown in figure 1.
9. Before starting your vehicle, make sure to check all wires, hoses, brake lines, body parts and tires for safe clearance from the exhaust system.
10. Start vehicle and check for any leaks. If any leaks are found, determine cause (such as loose or incorrectly positioned clamp) and repair as necessary.

*Note: When you first start your vehicle after the installation of your new Borla Performance Exhaust System, there may be some smoke and fumes coming from the system. This is a protective oil based coating used in the manufacturing of mandrel bent performance exhaust tubing. This is not a problem and will disappear within a very short period of time after the exhaust has reached normal operating temperatures.*



**Congratulations!!!** You have completed the installation of the world famous Borla Performance Stainless Steel Exhaust System.