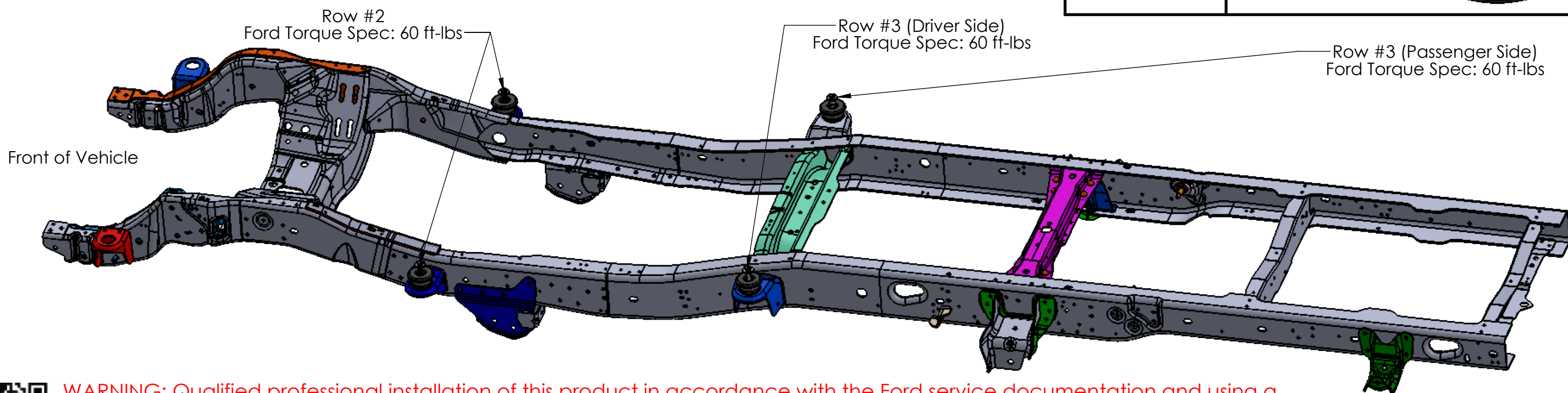
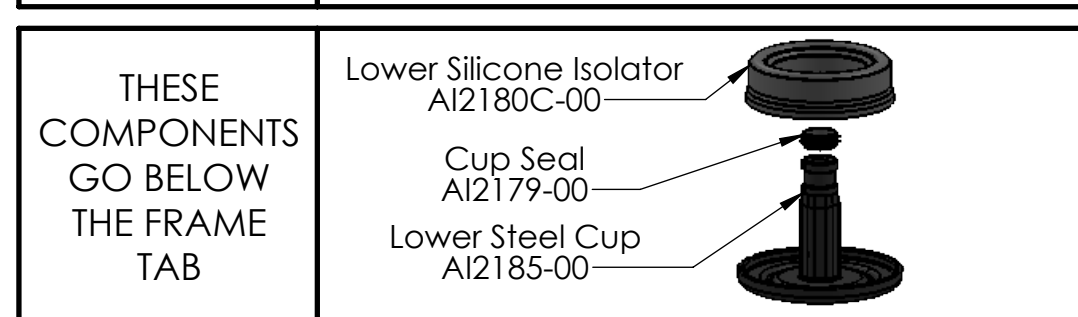
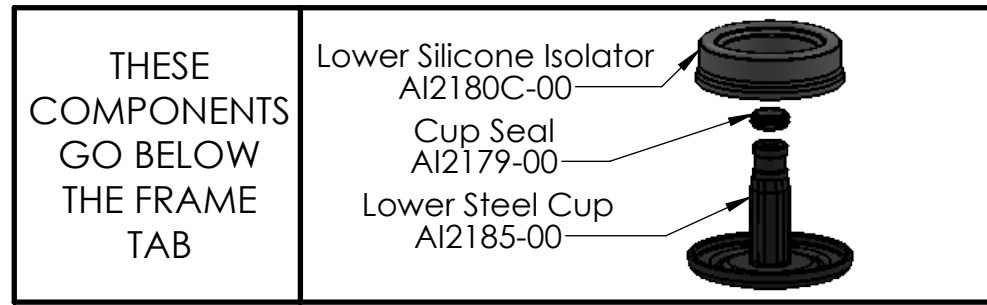
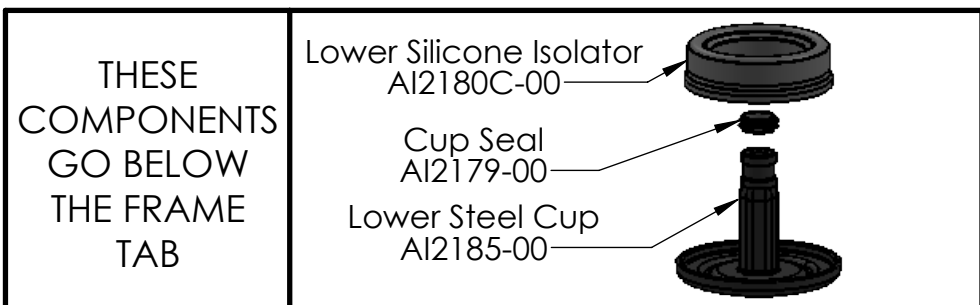
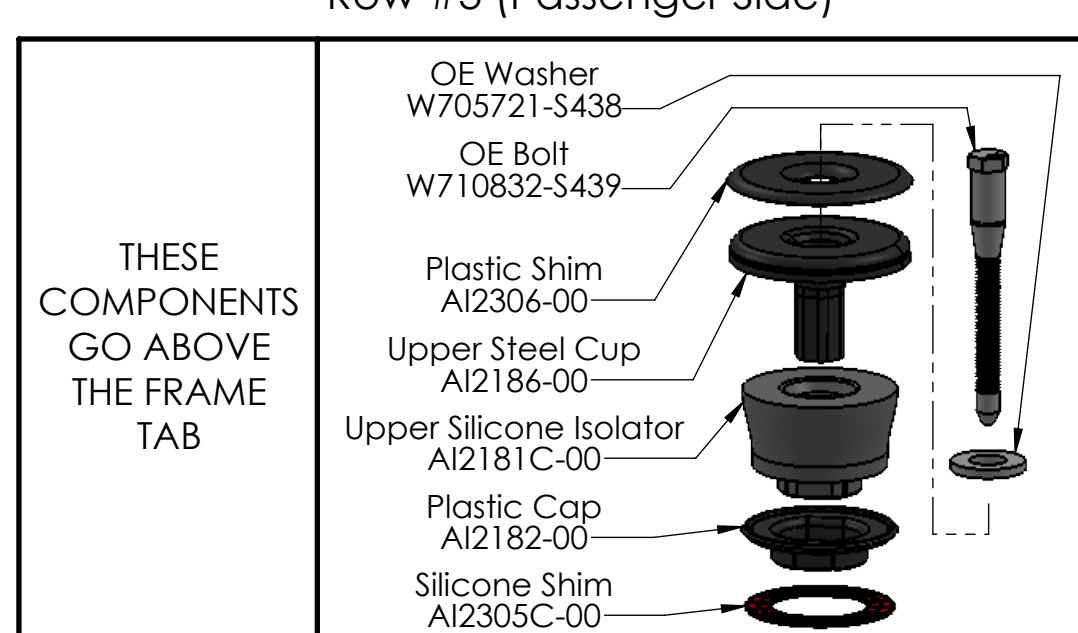
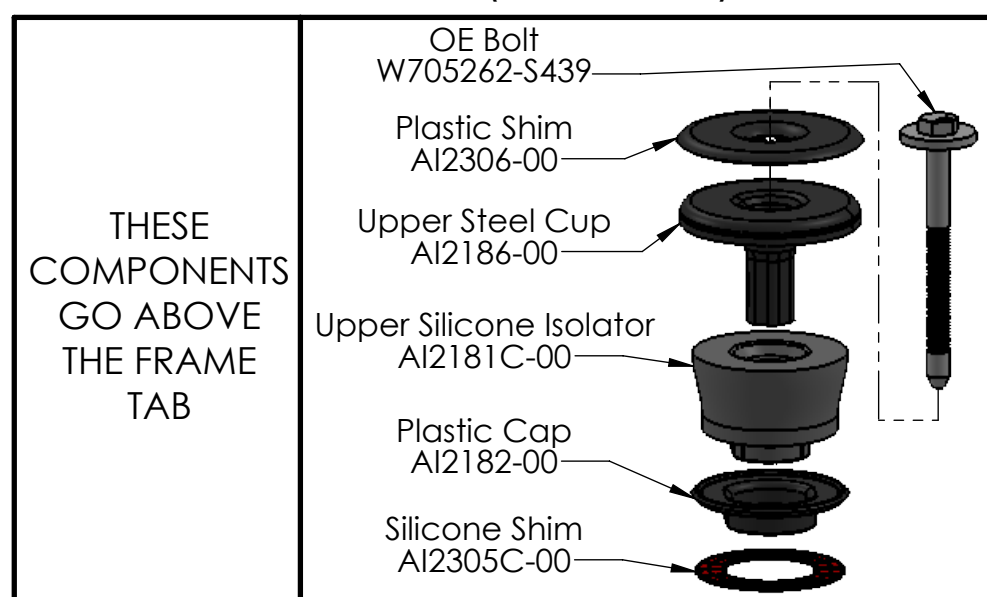
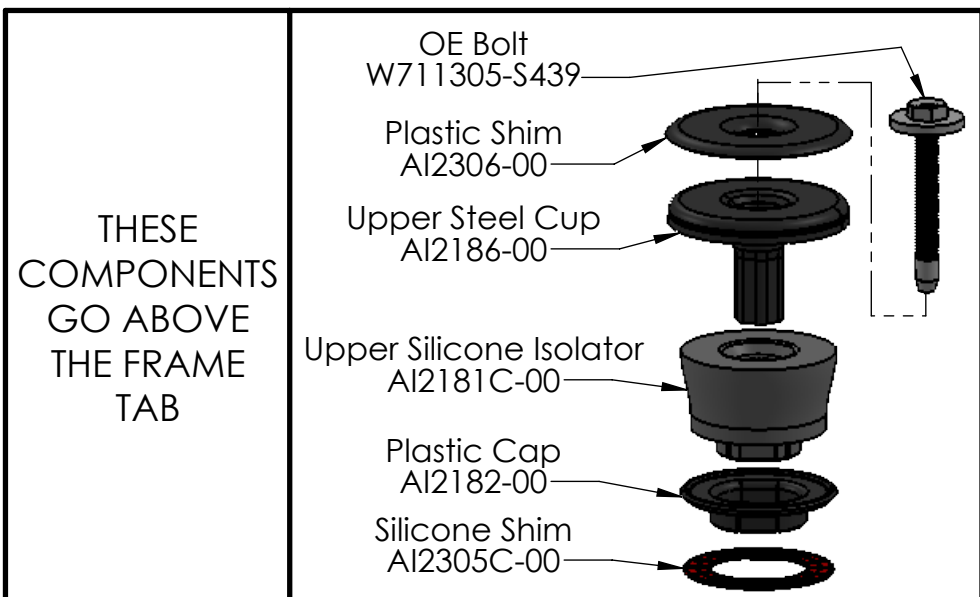


Row #2

Row #3 (Driver Side)

Row #3 (Passenger Side)



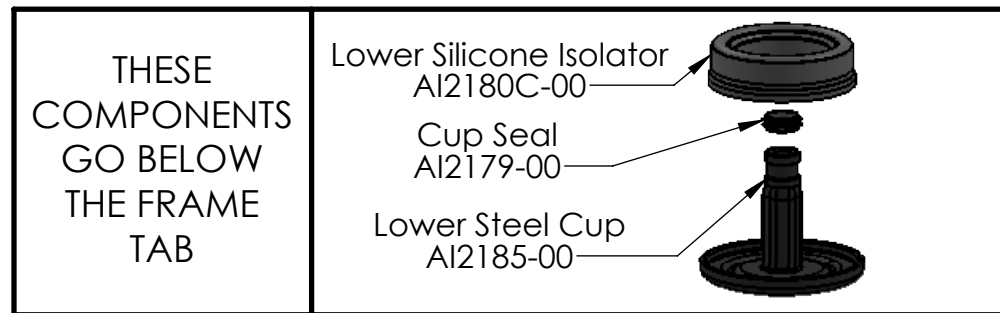
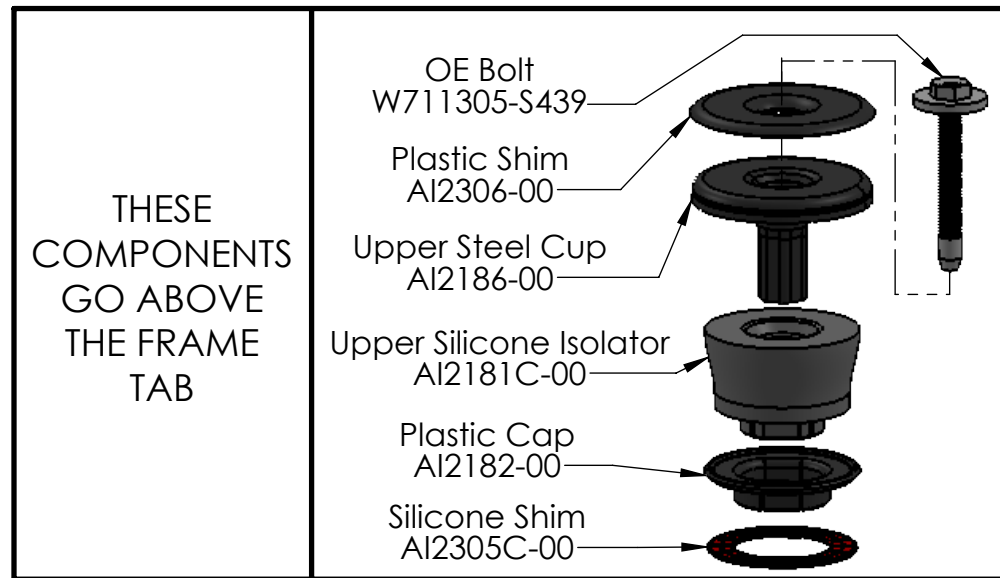
WARNING: Qualified professional installation of this product in accordance with the Ford service documentation and using a vehicle lift is required.

Install according to the supplied Ford Torque Spec for the best ride and to avoid damaging your truck. Do not attempt self-installation of this product or use an impact wrench at anytime. Self-installation using a jack or other lifting device could result in personal injury and/or damage to your vehicle. S&B shall not be liable for any loss, damage, including any incidental or consequential damages, fire, explosion, injury, or death as a result of self-installation of this product. The S&B Warranty will be voided if this product is not installed by a qualified professional or if an impact wrench is used. Visit sbfilters.com for warranty and other information.

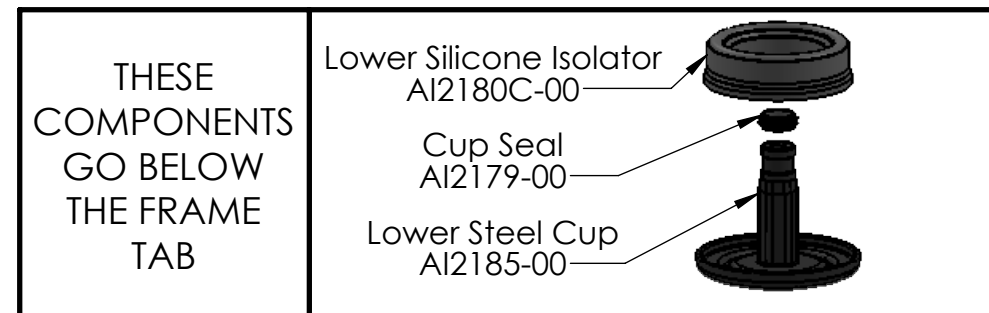
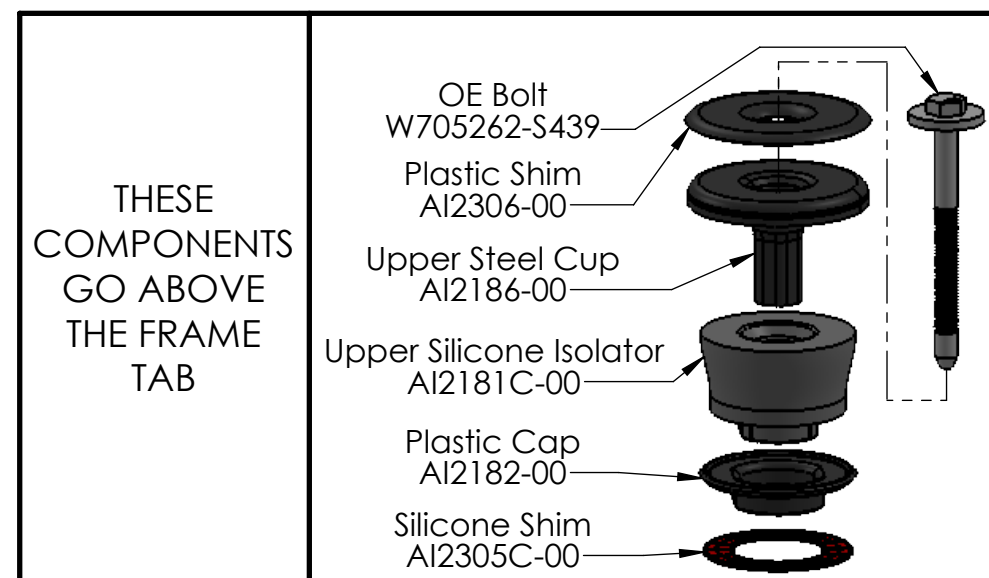


Part Number: 81-1000
2003-2007 Ford Powerstroke
6.0L Reg/Ext Cab

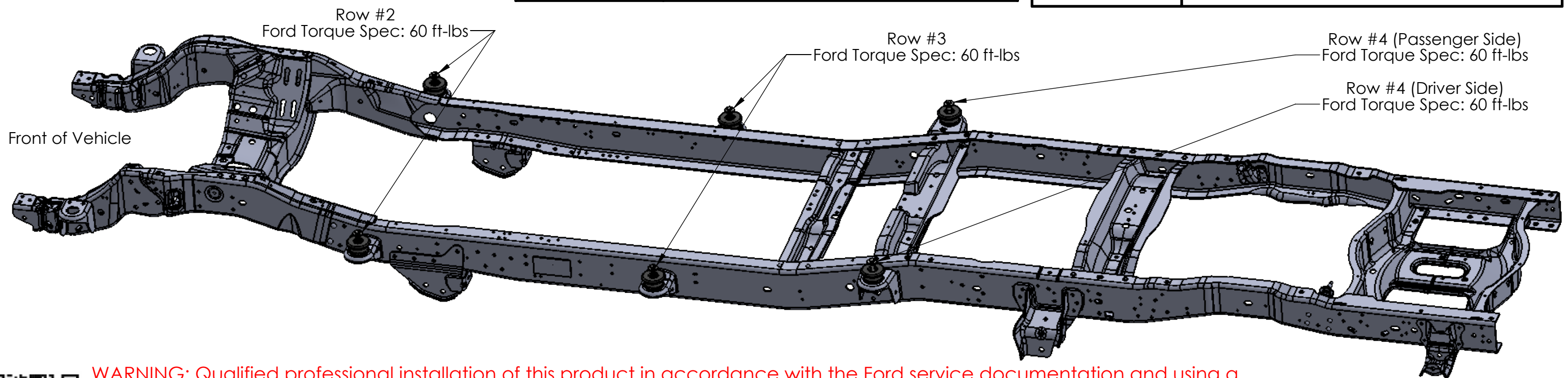
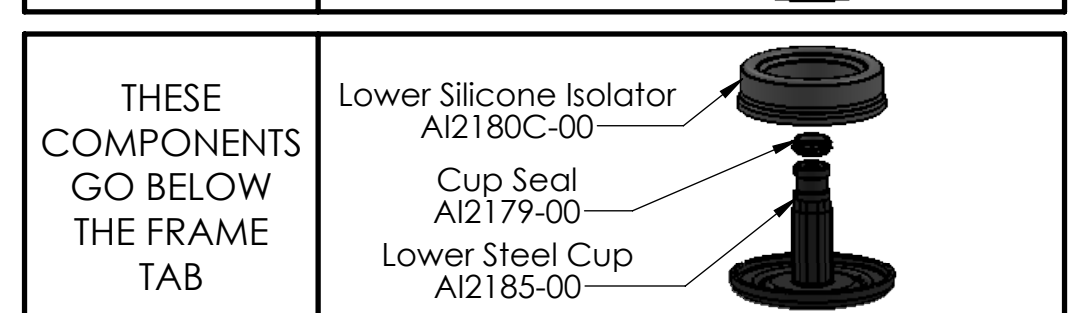
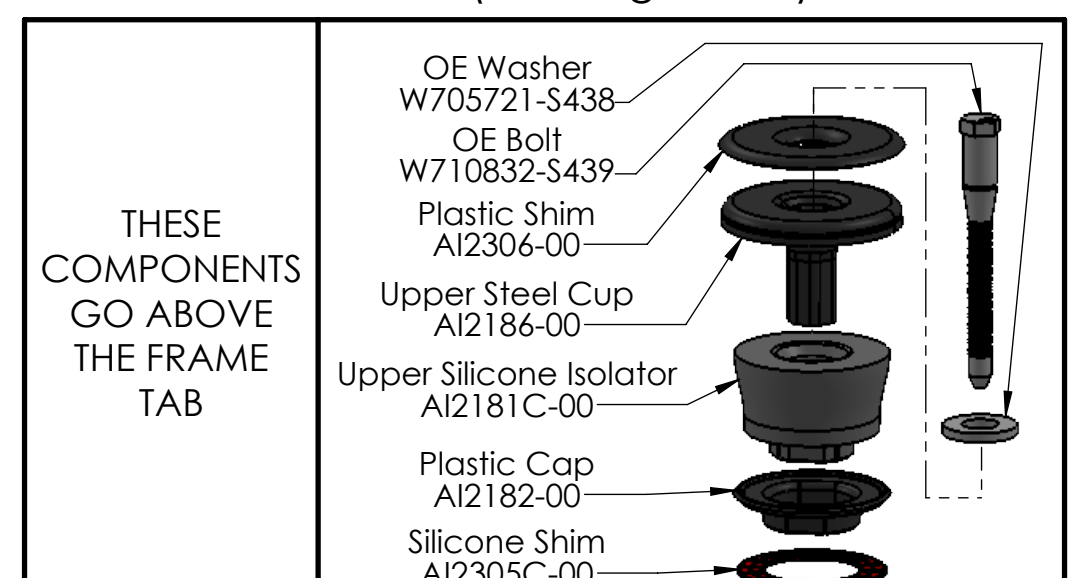
Rows #2 and #3



Row #4 (Driver Side)



Row #4 (Passenger Side)



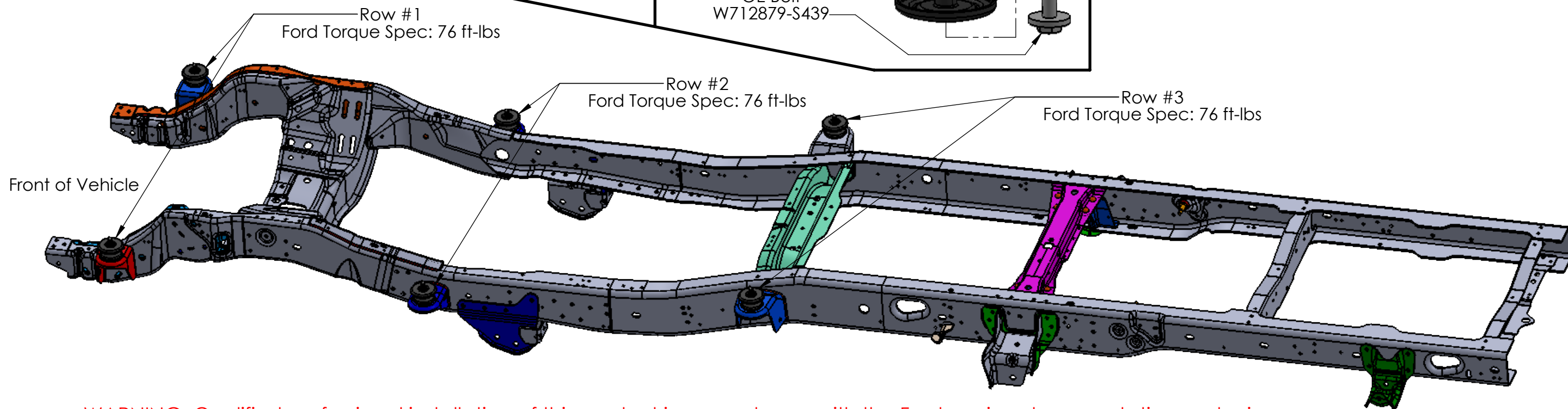
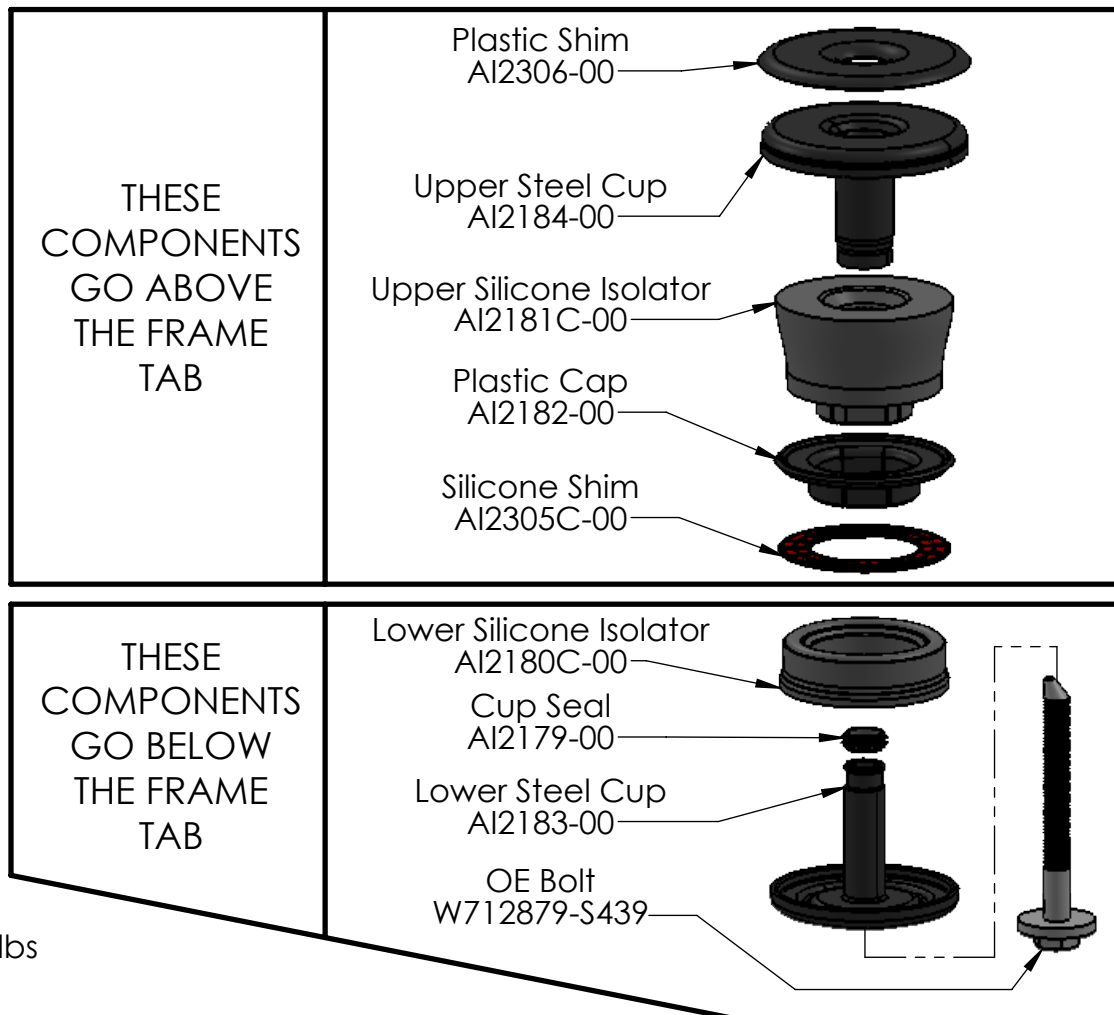
WARNING: Qualified professional installation of this product in accordance with the Ford service documentation and using a vehicle lift is required.

Install according to the supplied Ford Torque Spec for the best ride and to avoid damaging your truck. Do not attempt self-installation of this product or use an impact wrench at anytime. Self-installation using a jack or other lifting device could result in personal injury and/or damage to your vehicle. S&B shall not be liable for any loss, damage, including any incidental or consequential damages, fire, explosion, injury, or death as a result of self-installation of this product. The S&B Warranty will be voided if this product is not installed by a qualified professional or if an impact wrench is used. Visit sbfilters.com for warranty and other information.



Part Number: 81-1001
2003-2007 Ford Powerstroke
6.0L Crew Cab

All Rows



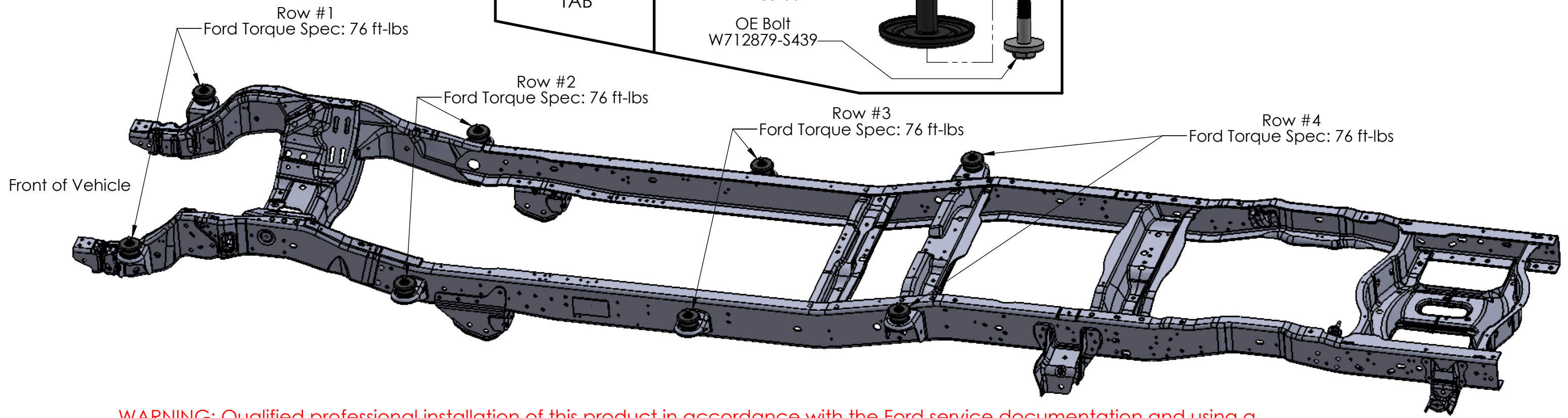
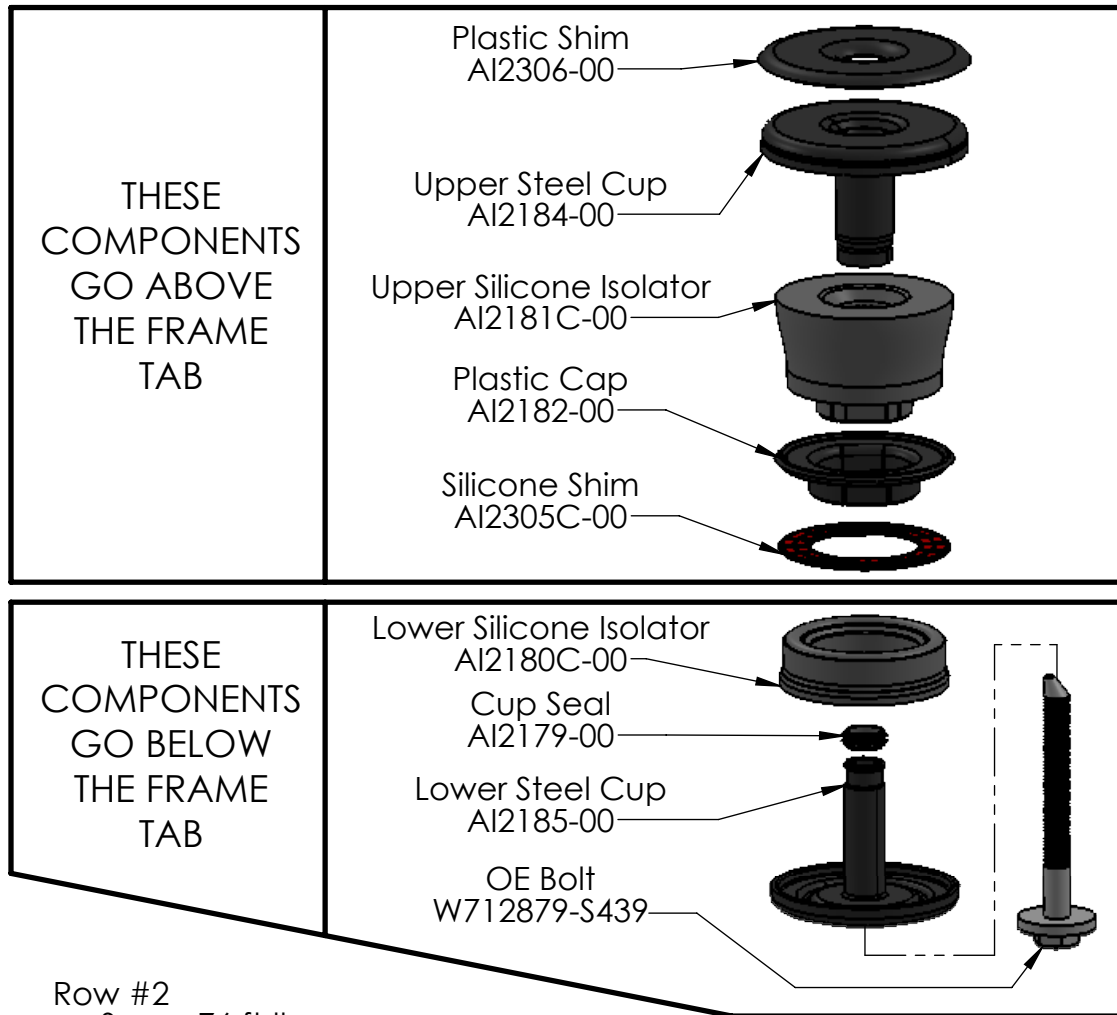
WARNING: Qualified professional installation of this product in accordance with the Ford service documentation and using a vehicle lift is required.

Install according to the supplied Ford Torque Spec for the best ride and to avoid damaging your truck. Do not attempt self-installation of this product or use an impact wrench at anytime. Self-installation using a jack or other lifting device could result in personal injury and/or damage to your vehicle. S&B shall not be liable for any loss, damage, including any incidental or consequential damages, fire, explosion, injury, or death as a result of self-installation of this product. The S&B Warranty will be voided if this product is not installed by a qualified professional or if an impact wrench is used. Visit sbfilters.com for warranty and other information.



Part Number: 81-1002
2008-2016 Ford Powerstroke
6.4L, 6.7L Reg/Ext Cab

All Rows

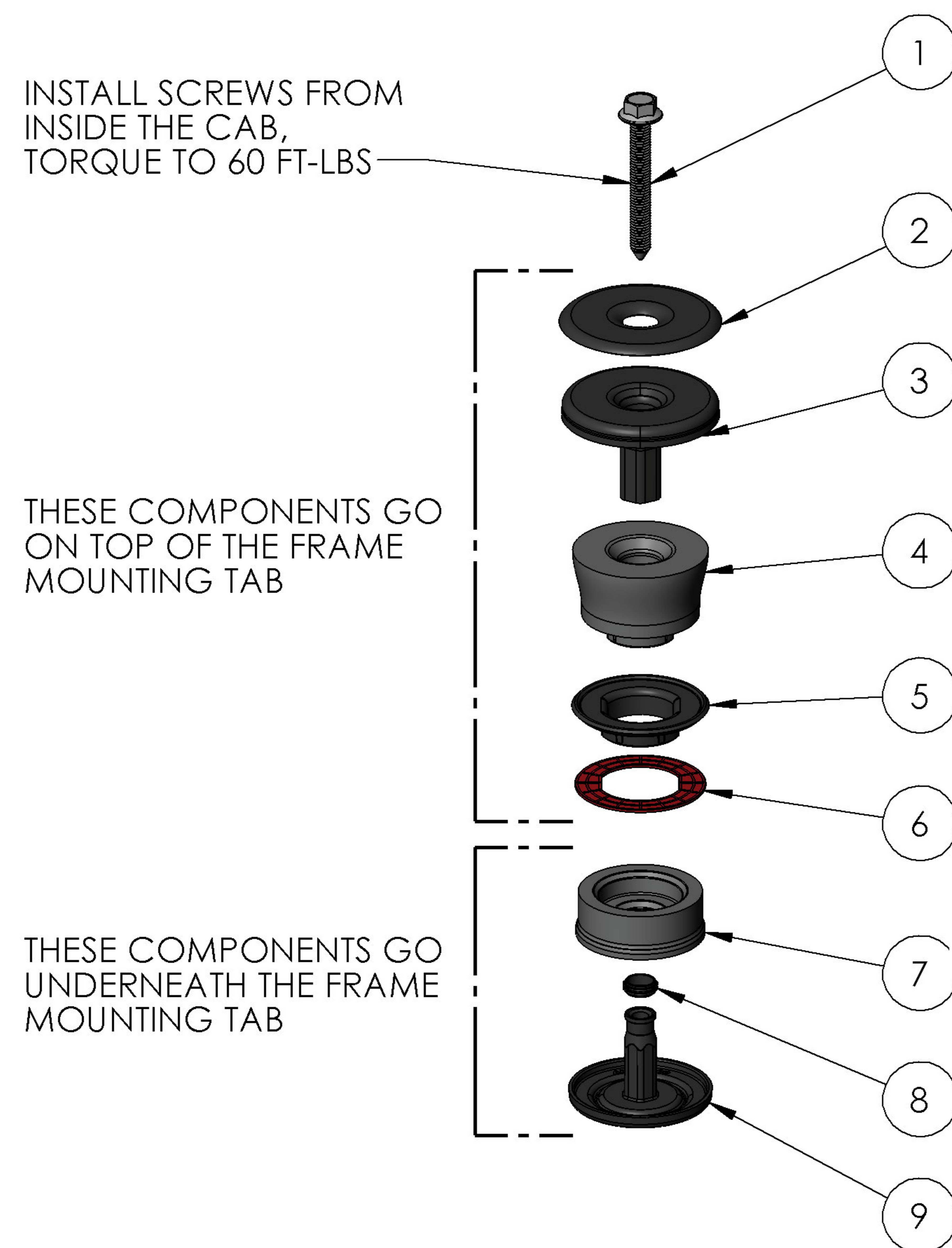


WARNING: Qualified professional installation of this product in accordance with the Ford service documentation and using a vehicle lift is required.

Install according to the supplied Ford Torque Spec for the best ride and to avoid damaging your truck. Do not attempt self-installation of this product or use an impact wrench at anytime. Self-installation using a jack or other lifting device could result in personal injury and/or damage to your vehicle. S&B shall not be liable for any loss, damage, including any incidental or consequential damages, fire, explosion, injury, or death as a result of self-installation of this product. The S&B Warranty will be voided if this product is not installed by a qualified professional or if an impact wrench is used. Visit sbfilters.com for warranty and other information.



Part Number: 81-1003
 2008-2016 Ford Powerstroke
 6.4L, 6.7L Crew Cab



ITEM NO.	PartNo	DESCRIPTION	QTY.
1	W711305-S439	M12 X 1.75 X 95 SCREW	1
2	A12306-00	PLASTIC SHIM	1
3	A12186-00	UPPER CUP	1
4	A12181C-00	UPPER ISOLATOR	1
5	A12182-00	UPPER ISOLATOR CAP	1
6	A12305C-00	SILICONE SHIM	1
7	A12180C-00	LOWER ISOLATOR	1
8	A12179-00	CUP SEAL	1
9	A12185-00	LOWER CUP	1

NOTE: THE EXCURSION KIT USES TEN (10) OF THESE ASSEMBLIES.



WARNING: Qualified professional installation of this product in accordance with the Ford service documentation and using a vehicle lift is required.

Install according to the supplied Ford Torque Spec for the best ride and to avoid damaging your truck. Do not attempt self-installation of this product or use an impact wrench at anytime. Self-installation using a jack or other lifting device could result in personal injury and/or damage to your vehicle. S&B shall not be liable for any loss, damage, including any incidental or consequential damages, fire, explosion, injury, or death as a result of self-installation of this product. The S&B Warranty will be voided if this product is not installed by a qualified professional or if an impact wrench is used.

Visit sbfilters.com for warranty and other information.