



## INSTALLATION INSTRUCTIONS

### VEHICLE APPLICATION

Year: **1998-07**  
Make: **Dodge**  
Model: **Ram 2500, 3500**  
Engine: **5.9L 24V Cummins**

### TOOLS REQUIRED

- 10mm, 13mm, 1/2" Wrenches & Sockets
- 7/16" Deep Socket
- 3/16" & 6mm Hex Drive
- Torque Wrench (In.lb.)
- Gasket Remover (Scraper)
- Vacuum

### CAUTION

- This part is not recommended for cold weather climates. You may have difficulty starting your truck or trigger a Check Engine Light if used in cold climates. Re-install the OE intake heater if a Check Engine Light occurs.
- This part is intended to be used in conjunction with S&B Intake Elbows Part #: 76-1004 or 76-1007.
- This part is intended for Off-Road/ Racing use only and is not CARB legal.

### BEFORE YOU START

- Please read the entire product guide before proceeding.
- Ensure all components listed on page 2 are present.
- If you are missing any of the components, call our customer support at (909) 947-0015.
- Do not attempt to work on your vehicle while engine is hot.
- Make sure the engine is turned off and the vehicle is in Park or the Parking Brake is set.

1. With the ignition switched off and the parking brake set, disconnect the negative battery cables on both batteries.



2. Loosen the upper hose clamp at the OE or S&B elbow and disconnect the hump hose from the elbow. **Note:** Care should be taken not to let any debris fall into the boost tube.



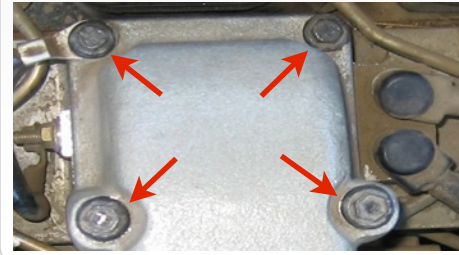
3. Remove the bolt that secures the dip stick tube to the elbow.



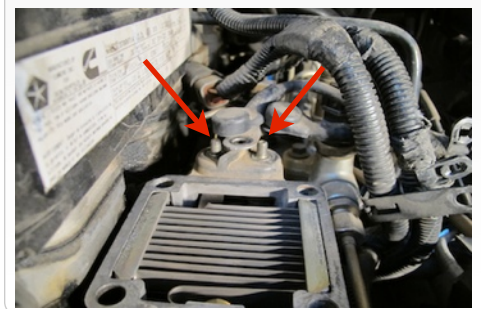
4. Remove the lock nut and pull the prong out that secures the wiring harness to the elbow and push the harness back away from the elbow. (Ignore this step if you have an S&B elbow)



5. Remove the 4 bolts that secure the elbow to the manifold and remove the elbow from the vehicle. Careful not to let any debris fall into the manifold. **Note:** If the OE bolt threads were corroded and rust deposits have fallen through the bolt holes into the manifold use a vacuum to clean it out.



6. Remove the two nuts attaching the power cables to the heater block. On the opposite side, remove the screw that secures the ground wire to the manifold.



7. Follow the power cable(s) that run from the heater block to the relay(s) next to the passenger side battery. There four connection points; one under the plastic cover to the right of the heater block, two steel clips in front of the motor, and one top of the alternator bracket. Undo all connections.



8. Disconnect the power cable(s) from the relay(s). Remove the cable(s) from the truck. Return the nut(s) to the relay(s).



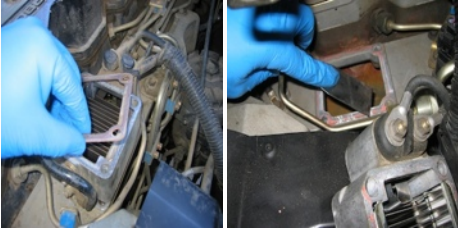
**SEE EXPLODED VIEW ON PAGE 2**





## INSTALLATION INSTRUCTIONS (Continued)

9. Remove the OE heater block and the two gaskets. A scraper may be necessary, be careful not to damage the sealing surface and to not let any debris fall into the manifold. Place a clean shop rag in the manifold to keep debris out. You may need a vacuum at this step as well.



10. Place the supplied Bottom Gasket (C) (the one with a larger opening) on the manifold under the heater block, make sure all four bolt holes in the gasket line up correctly.



11. Place the Heater Delete (A) on top of the Bottom gasket (C), make sure all four bolt holes line up correctly.



12. Place the supplied Top Gasket (B) (the one with a smaller opening) on the Heater Delete (A), make sure all four bolt holes in the gasket line up correctly.



13. Remove your shop rag (if used) from the manifold and use a vacuum in the manifold to remove any debris that may have fallen in.



14. Reinstall your S&B or OE elbow. Be sure all connections are secure and properly positioned. Torque all hardware to the recommended specs. Reconnect the negative battery cables. The installation is now complete.



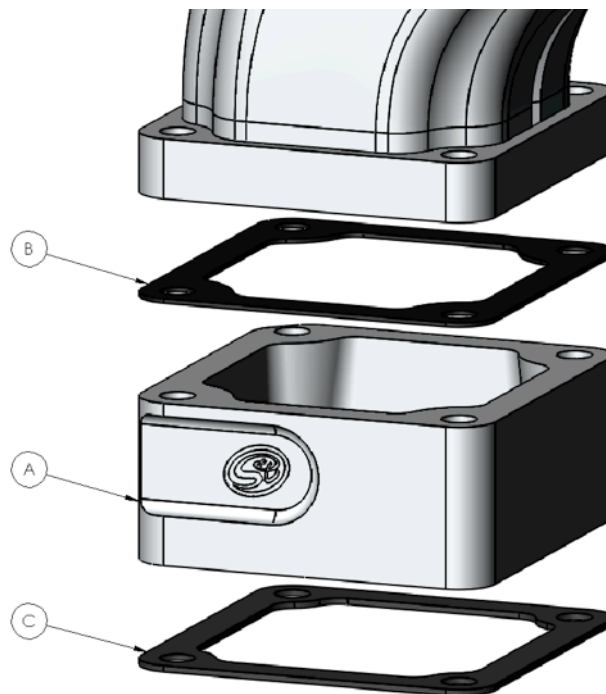
### PERFORMANCE TESTING

- Engage parking brake and start your engine. Listen for abnormal noises. If an air leak is detected, re-inspect hoses and connections as they may need to be repositioned and tightened.
- S&B FILTERS recommends that you keep your OE heater block in the event it is required in the future.
- In order to maintain your warranty, all connections and components must be checked periodically for alignment and for proper tension on all connections. Failure to do so may void your warranty.

### RELATED ITEMS FOR YOUR PURCHASE

- Intake Elbow (2003-07) (S&B P/N: 76-1004)
- Intake Elbow (1998-02) (S&B P/N: 76-1007)

### EXPLODED VIEW



ITEM	QTY.	DESCRIPTION	P/N
A	1	Heater Delete Block	AL1175-00
B	1	Gasket, 4-Hole, Top	AI1533-00
C	1	Gasket, 4-Hole, Bottom	AI1532-00

AM0175-00 Rev.A 12/8/11